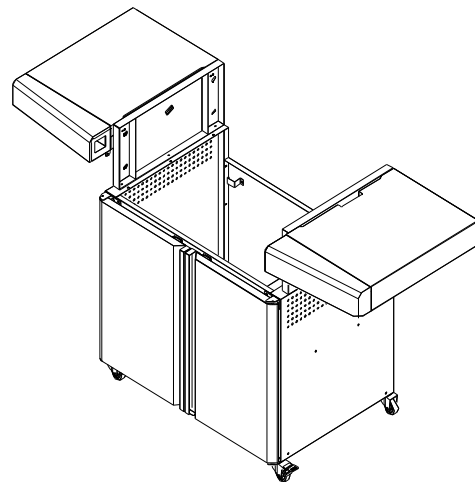


UN2616ACT



UN3216ACT

## FREE HELP FROM THE GRILL EXPERTS

Grand Hall is the expert on this product and trained to help you with:

- Y Assembly Questions
- Y Grill Operation
- Y Replacement of Damaged or Missing parts

visit [www.grandhall.com](http://www.grandhall.com) or call:

1-800-474-5587  
Monday - Friday 8:00am-4:30pm PST

## IMPORTANT:

### Y NOTE TO ASSEMBLER/INSTALLER:

Leave this manual with the consumer.

### Y NOTE TO CONSUMER:

Keep this manual for future reference.

### Y RECORD YOUR SERIAL #

(see silver CSA label on main body of grill)



## WARNING

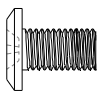


- Y Failure to comply with these instructions could result in a fire or explosion that could cause serious bodily injury, death or property damage.
- Y Whether this grill was assembled by you or someone else, you must read this entire manual before using your grill to ensure the grill is properly assembled, installed and maintained.
- Y **Use your grill at least 3 feet away from any wall or surface.** Use your grill at least **3 feet away** from combustible objects that can melt or catch fire such as vinyl or wood siding, fences and overhangs or sources of ignition including pilot lights on water heaters and live electrical appliances.
- Y THIS GAS APPLIANCE IS DESIGNED FOR OUTDOOR USE ONLY.
- Y **Never** use your gas grill in a garage, porch, shed, breezeway or any other enclosed area.
- Y **Never** obstruct the flow of ventilation air around your gas grill housing.
- Y **Never** disconnect the gas regulator or any gas fitting while your grill is lit. A lit grill can ignite leaking gas and cause a fire or explosion which could result in property damage, personal injury or death.

## Hardware Pack For Model **UN2616ACT & UN3216ACT**

PART #	PART DESCRIPTION	QTY	PURPOSE OF PART
P06013019B	Hardware Pack	1	For use to assemble UN2616ACT & UN3216ACT
S182G04061	Pan Head Screw 1/4"x3/8"	4	Install Caster Seats to the Cart Side Panels
S182G03061	Pan Head Screw 3/16"x3/8"	8	
S182G03061	Pan Head Screw 3/16"x3/8"	4	Install Cart Bottom Panel to Cart Side Panels
S182G04061	Pan Head Screw 1/4"x3/8"	8	
S182G03061	Pan Head Screw 3/16"x3/8"	4	Install Lower Door Brackets
S182G03061	Pan Head Screw 3/16"x3/8"	2	Install Door Guide Plate
S182G03061	Pan Head Screw 3/16"x3/8"	6	Install Cart Rear Panel
S182G03061	Pan Head Screw 3/16"x3/8"	1	LP Regulator Hose Holder
P05515124L	Wrench	1	Install Casters
S182G03061	Pan Head Screw 3/16"x3/8"	6	Install Cart Partition Panel Bracket and Cart Partition Panel (UN3216ACT Only)
S182G03061	Pan Head Screw 3/16"x3/8"	8	Install Tank Holder and Holder Assembly
S182G03061	Pan Head Screw 3/16"x3/8"	4	Install Cart Front Bracket
S182G03061	Pan Head Screw 3/16"x3/8"	8	Install Upper Door Brackets
S182G03061	Pan Head Screw 3/16"x3/8"	6	Install Left/Right Grill Bowl Trim Panel
S112G03261	Phillips Head Screw 3/16"x1-5/8"	8	Install Grill Head
S162G03064	Hex Head Screw 3/16"x3/8"	8	Install Side Shelves
S182G03061	Pan Head Screw 3/16"x3/8"	2	Install Control Box with Bracket (OB26 & OB32 Only)
Already Installed in Grill Bowl Side Panel			
S182G03081	Pan Head Screw 3/16"x1/2"	2	Install Grill Bowl Side Panel

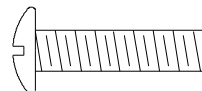
## Hardware Diagram for Model **UN2616ACT & UN3216ACT**



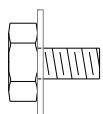
Pan Head Screw 1/4"x3/8"  
Qty. 12  
Part # S182G04061



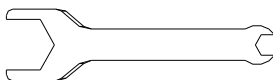
Pan Head Screw 3/16"x3/8"  
Qty. 59  
Part # S182G03061



Phillips Head Screw 3/16"x1-5/8"  
Qty. 8  
Part # S112G03261

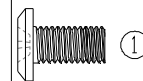


Hex Head Screw 3/16"x3/8"  
Qty. 8  
Part # S162G03064



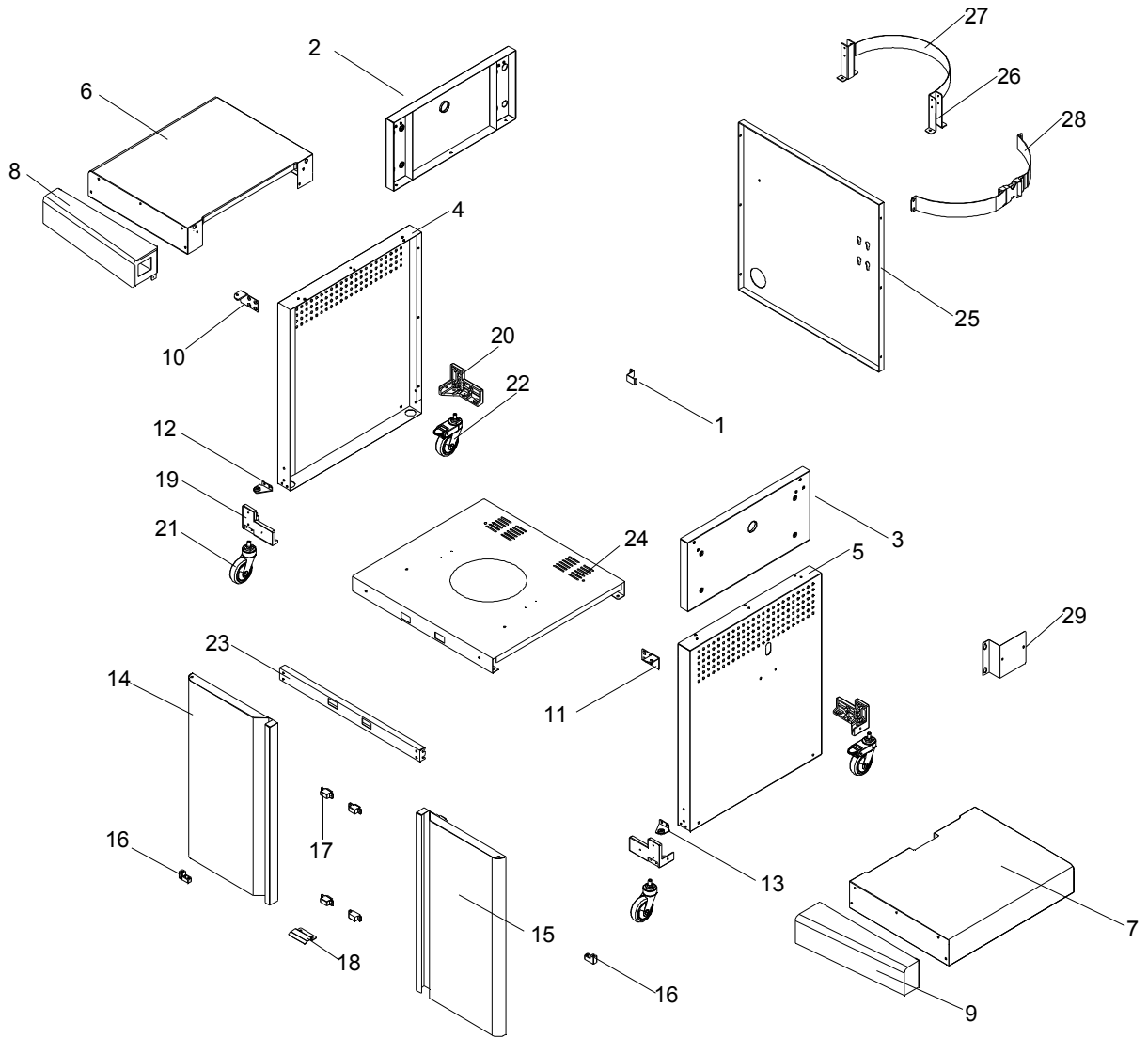
Wrench  
Qty. 1  
Part # P05515124L

Already installed in grill bowl side panels



Pan Head Screw 3/16"x1/2"  
Qty. 2  
Part # S182G03081

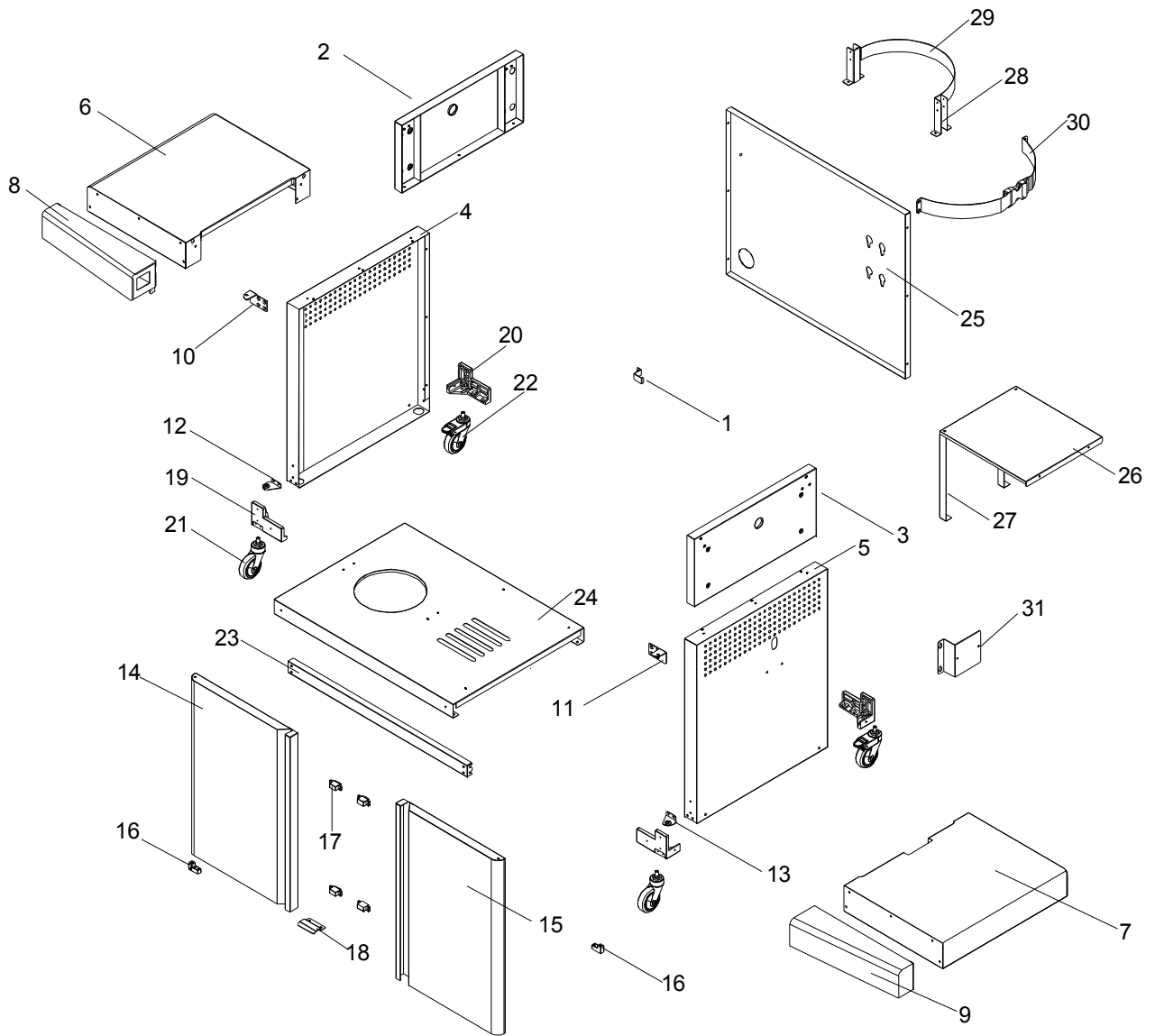
# Parts Diagram for Model UN2616ACT



## Parts List for Model **UN2616ACT**

KEY	DESTRPTION	PART#	QTY.
1	LP Regulator Hose Holder	P055360034	1
2	Grill Bowl Trim Panel, Left	P007420264	1
3	Grill Bowl Trim Panel, Right	P007430564	1
4	Cart Side Panel, Left	P076020294	1
5	Cart Side Panel, Right	P076030324	1
6	Side Shelf, Left	P011060544	1
7	Side Shelf, Right	P011070494	1
8	Side Shelf Trim Plate, Left	P075030304	1
9	Side Shelf Trim Plate, Right	P075020384	1
10	Door Bracket, Left/Upper	P03313031F	1
11	Door Bracket, Right/Upper	P03313032F	1
12	Door Bracket, Left/Lower	P03313033F	1
13	Door Bracket, Right/Lower	P03313034F	1
14	Door Assembly, Left	P043050624	1
15	Door Assembly, Right	P043060324	1
16	Door Hinge	Y0550002	2
17	Door Magnet	P05523056L	4
18	Door Guide Plate	P05510137A	1
19	Caster Seat, Left Front & Right Rear	P05327064H	2
20	Caster Seat, Right Front & Left Rear	P05327065H	2
21	Caster, 2" without Brake	P05104008A	2
22	Caster, 2" with Brake	P05104009A	2
23	Cart Front Bracket	P033050734	1
24	Cart Bottom Panel(LPG)	P010080454	1
25	<b>Cart Rear Panel</b>	<b>P077021464</b>	1
26	Tank Holder Bracket (LPG)	P040090354	2
27	Tank Holder (LPG)	P053590034	1
28	Tank Fastening Strap (LPG)	P05314002V	1
29	Control Box Bracket	P03343018C	1
	Operator's Manual	P80151138A	1

# Parts Diagram for Model UN3216ACT



## Parts List for Model **UN3216ACT**

KEY	DESTRPTION	PART#	QTY.
1	LP Regulator Hose Holder	P055360034	1
2	Grill Bowl Trim Panel, Left	P007420264	1
3	Grill Bowl Trim Panel, Right	P007430564	1
4	Cart Side Panel, Left	P076020294	1
5	Cart Side Panel, Right	P076030324	1
6	Side Shelf, Left	P011060544	1
7	Side Shelf, Right	P011070494	1
8	Side Shelf Trim Plate, Left	P075030304	1
9	Side Shelf Trim Plate, Right	P075020384	1
10	Door Bracket, Left/Upper	P03313031F	1
11	Door Bracket, Right/Upper	P03313032F	1
12	Door Bracket, Left/Lower	P03313033F	1
13	Door Bracket, Right/Lower	P03313034F	1
14	Door Assembly, Left	P04305061G	1
15	Door Assembly, Right	P04306031G	1
16	Door Hinge	Y0550002	2
17	Door Magnet	P05523056L	4
18	Door Guide Plate	P05510137A	1
19	Caster Seat, Left Front & Right Rear	P05327064H	2
20	Caster Seat, Right Front & Left Rear	P05327065H	2
21	Caster, 2" without Brake	P05104008A	2
22	Caster, 2" with Brake	P05104009A	2
23	Cart Front Bracket	P033060414	1
24	Cart Bottom Panel(LPG)	P010080444	1
25	<b>Cart Rear Panel</b>	<b>P077021474</b>	1
26	Cart Partition Panel	P075120184	1
27	Cart Partition Panel Bracket	P033040684	2
28	Tank Holder Bracket (LPG)	P040090354	2
29	Tank Holder (LPG)	P053590034	1
30	Tank Fastening Strap (LPG)	P05314002V	1
31	Control Box Bracket	P03343018C	1
	Operator's Manual	P80151138A	1

# Assembly Instructions for Model UN2616ACT & UN3216ACT

**CAUTION :** Even though it is possible for one person to assemble this grill, it is better to obtain assistance from another person when handling the large, heavy pieces.

## 1 Install Caster Seats

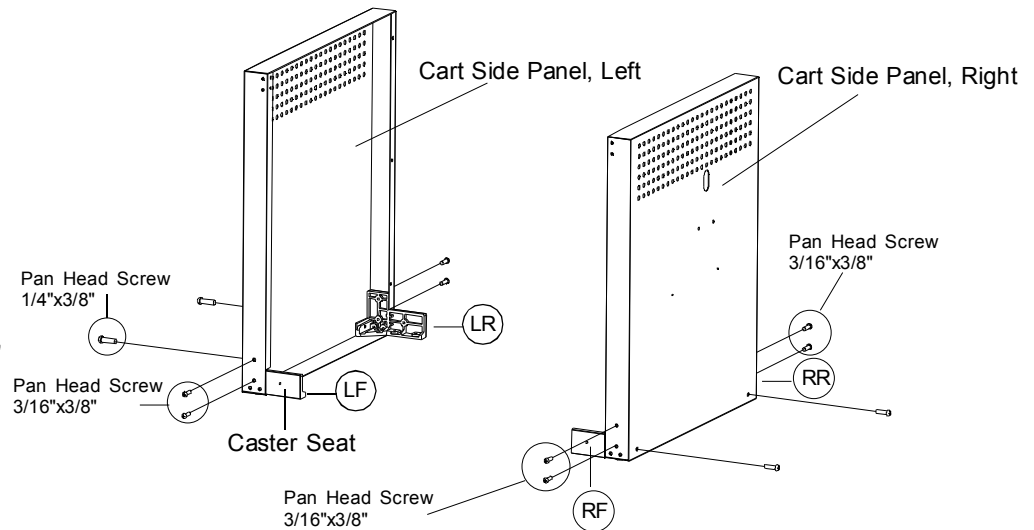
- Attach the Left Front(LF) and Left Rear(LR) Caster Seats on the Left Cart Side Panel using 2 Pan Head Screws 1/4"x3/8" and 4 Pan Head Screws 3/16"x3/8" and tighten securely as shown.
- Repeat the same steps on the Right Side.



Pan Head Screw 1/4"x3/8"  
Qty. 4  
Part # S182G04061



Pan Head Screw 3/16"x3/8"  
Qty. 8  
Part # S182G03061



## 2 Install Cart Bottom Panel, Lower Door Brackets and Door Guide Plate

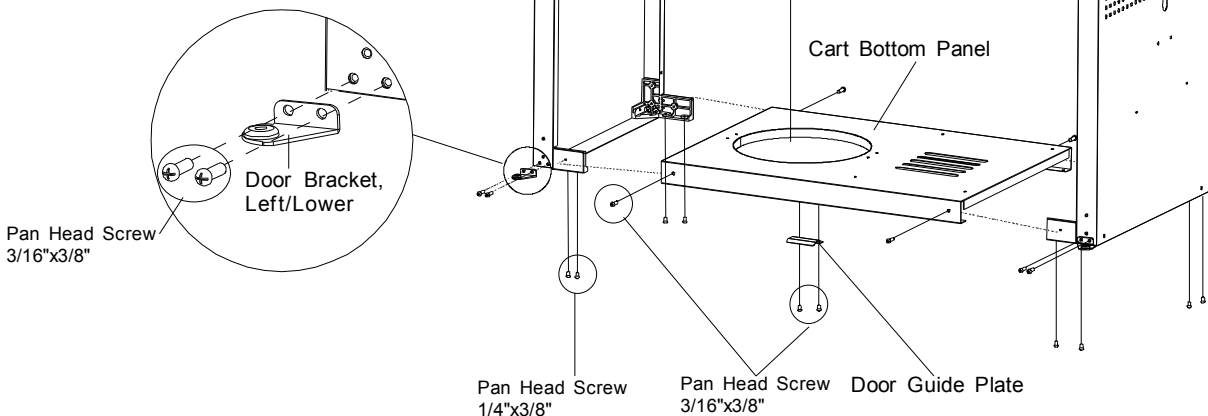
- Attach Cart Bottom Panel to both Side Panels. **Make sure the holes on the panels are aligned as shown.** Insert 4 Pan Head Screws 3/16"x3/8". Do not fully tighten the screws until the step 3 is fully completed.
- Secure the Caster Seats on the underside of the Cart Bottom Panel using 8 Pan Head Screws 1/4"x3/8".
- Install the Left/Lower and Right/Lower Door Brackets onto Cart Side Panels using 4 Pan Head Screws 3/16"x3/8" and tighten securely.
- Attach the Door Guide Plate to the Cart Bottom Panel using 2 Pan Head Screws 3/16"x3/8" and tighten securely.



Pan Head Screw 3/16"x3/8"  
Qty. 10  
Part # S182G03061



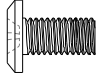
Pan Head Screw 1/4"x3/8"  
Qty. 8  
Part # S182G04061



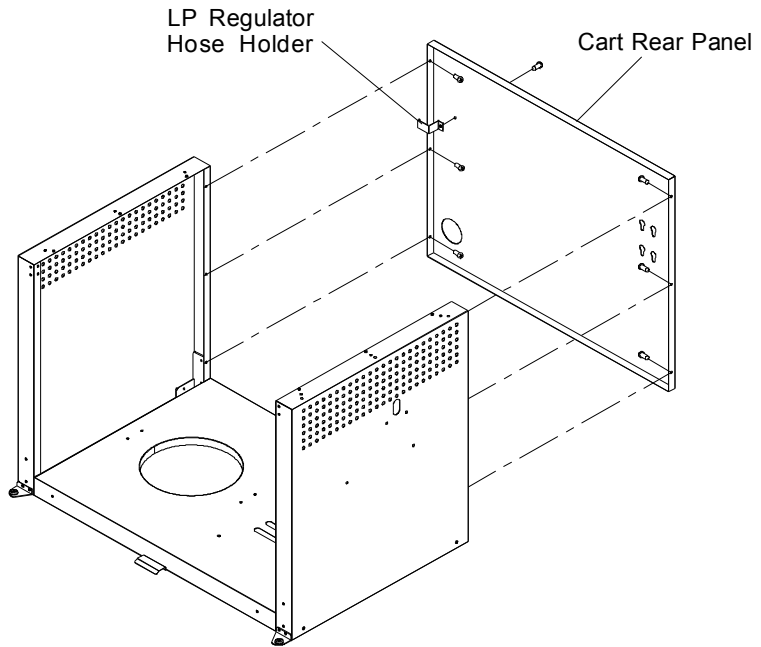
### 3

#### Install Cart Rear Panel and Hose Holder

- Install the Cart Rear Panel to the Cart Side Panels using 6 Pan Head Screws 3/16"x3/8" and tighten securely as shown.
- Attach the Regulator Hose Holder onto the left side of Cart Rear Panel using 1 Pan Head Screw 3/16"x3/8" and tighten securely as shown.
- Tighten all screws on the Bottom Panel securely.



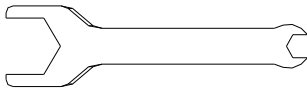
Pan Head Screw 3/16"x3/8"  
Qty. 7  
Part # S182G03061



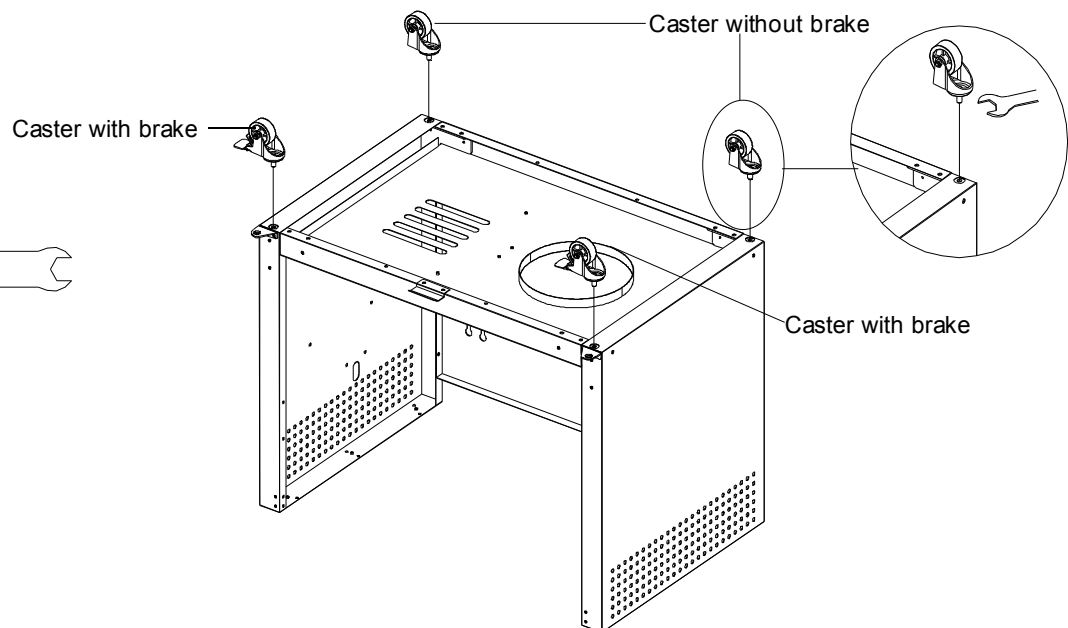
### 4

#### Install Casters

- Turn the Cart upside down and place it on the flat ground as shown.
- Install 4 Casters into the threaded holes on the Caster Seats. Make sure the 2 Casters with brakes are installed at the front. Turn the threaded stem by hand, clockwise until it stops. Tighten securely with the provided wrench.



Wrench  
Qty. 1  
Part # P05515124L





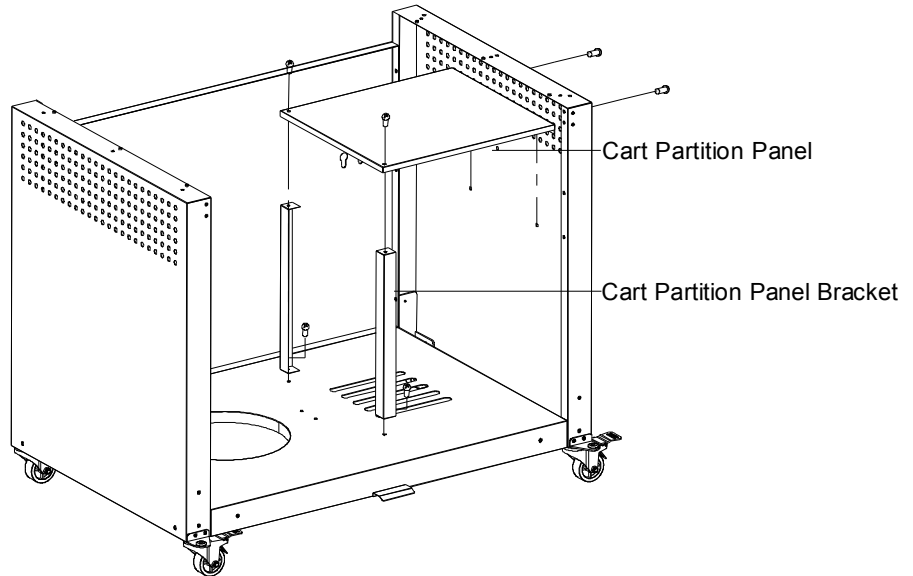
## 5

### Install Cart Partition Panel Bracket and Cart Partition Panel (For UN3216ACT only)

- Install the Cart Partition Panel Brackets onto the Cart Bottom Panel using 2 Pan Head Screw 3/16"x3/8" as shown.
- Align the 2 holes on the Cart Partition Panel with the 2 holes on the Cart Partition Panel Bracket. Insert 2 Pan Head Screws 3/16"x3/8" and tighten them.
- Align the 2 holes on the Cart Partition Panel with the 2 holes on the Right Side Panel. Insert 2 Pan Head Screws 3/16"x3/8" and tighten them.
- Tighten all screws securely.



Pan Head Screw 3/16"x3/8"  
Qty. 6  
Part # S182G03061



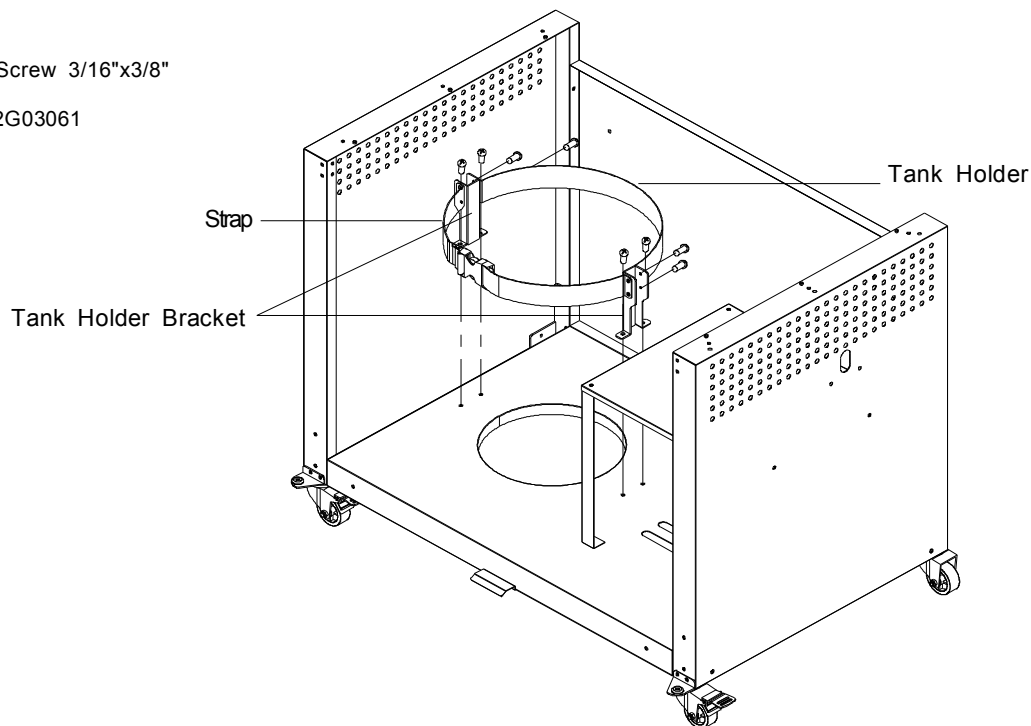
## 6

### Install Tank Holder and Holder Assembly

- Attach Tank Holder to the Tank Holder Brackets. Align the 4 holes on the Tank Holder with the 4 holes on the Tank Holder Brackets(2 holes on each bracket). Insert 4 Pad Head Screws 3/16"x3/8" and tighten securely.
- Attach the Tank Holder Assembly to the Cart Bottom Panel and make sure the strap is facing to the front. Align the 4 holes(2 holes on each bracket) on the bottom of the Tank Holder Brackets with the 4 holes on the Cart Bottom Panel. Insert 4 Pan Head Screws 3/16"x3/8" and tighten securely.



Pan Head Screw 3/16"x3/8"  
Qty. 8  
Part # S182G03061

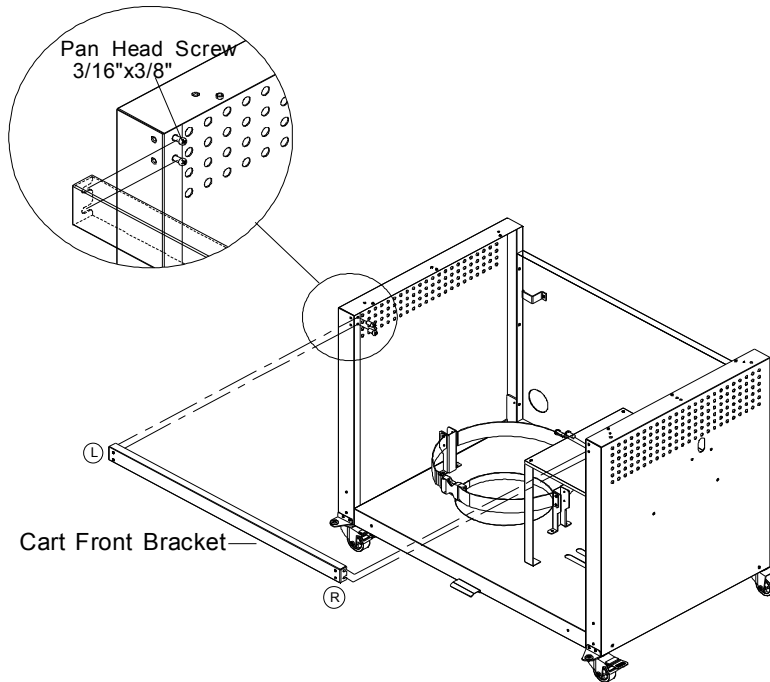


## 7 Install Cart Front Bracket

- Attach 2 Pan Head Screws 3/16"x3/8" to the front inside edges of both Cart Side Panels, tighten it half way only. Install the Cart Front Bracket to the Cart Side Panels with the notches on both ends match the screws. Fully tighten the screws to secure the Cart Front Bracket.



Pan Head Screw 3/16"x3/8"  
Qty. 4  
Part # S182G03061

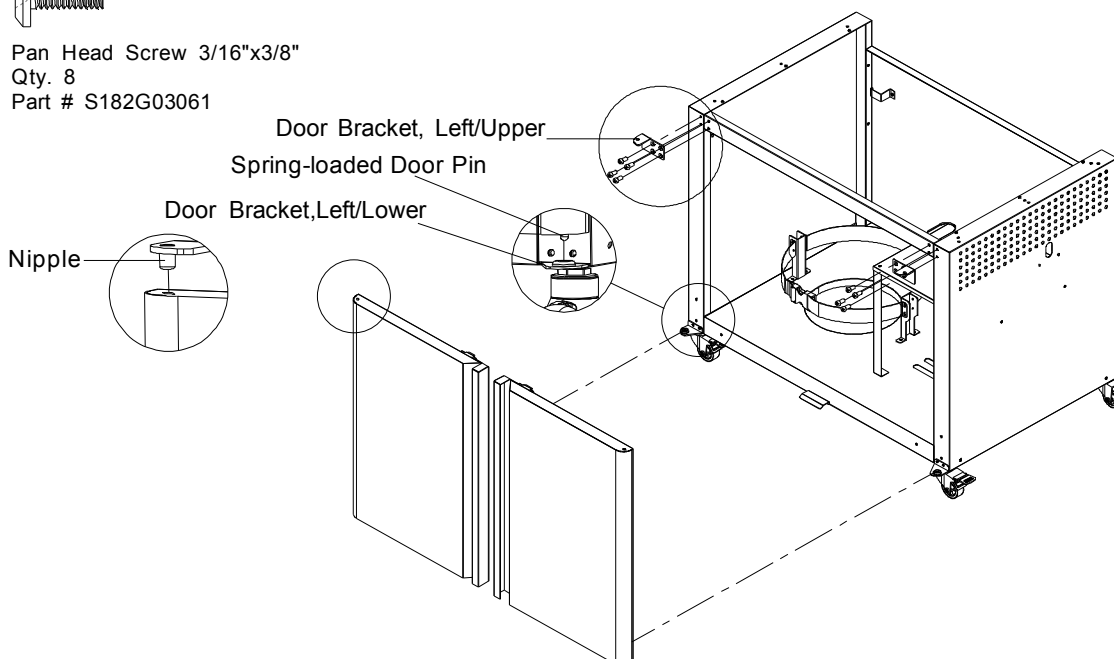


## 8 Install Doors and Upper Door Brackets

- Install Left/Upper Door Bracket to the left side of Cart Front Bracket using 4 Pan Head Screws 3/16"x3/8" and tighten securely. (Note: The Upper Door Bracket for the left side is marked with "L". The Upper Door Bracket for the right side is marked with "R".)
- Install the left Door. Align the hole on the upper edge of the Left Door with the nipple on the Left Upper Door Bracket. Lift the Left Door upward for inserting the nipple and depressing the spring-loaded Door Pin on the bottom of the door. Then, align the Door Pin with the hole on the Lower Door Bracket by sliding it to the center of bracket. The Door Pin will click into the hole.
- Repeat the same steps for the Right Door.



Pan Head Screw 3/16"x3/8"  
Qty. 8  
Part # S182G03061

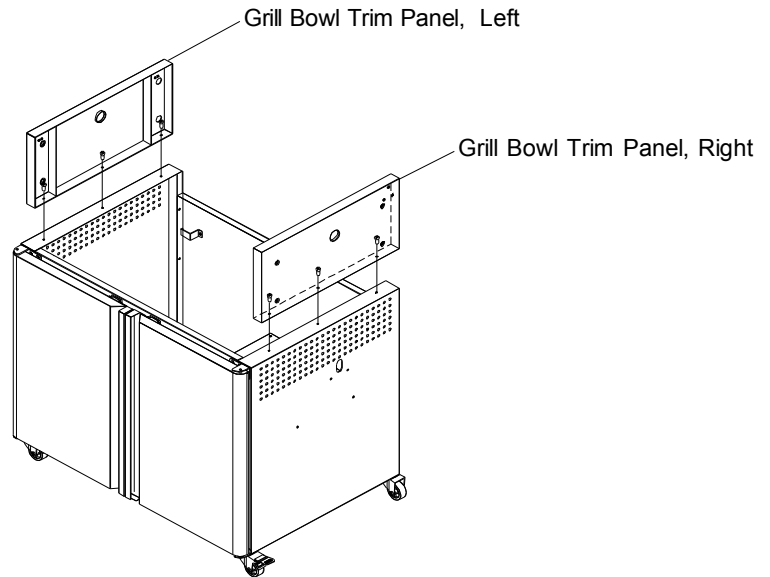


## 9 Install Left/Right Grill Bowl Trim Panel

- Install the Left Grill Bowl Trim Panel on the top of the Left Cart Side Panel using 3 Pan Head Screws 3/16"x3/8" and tighten securely as shown.
- Repeat the same steps for the Right Grill Bowl Trim Panel.

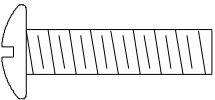


Pan Head Screw 3/16"x3/8"  
Qty. 6  
Part # S182G03061

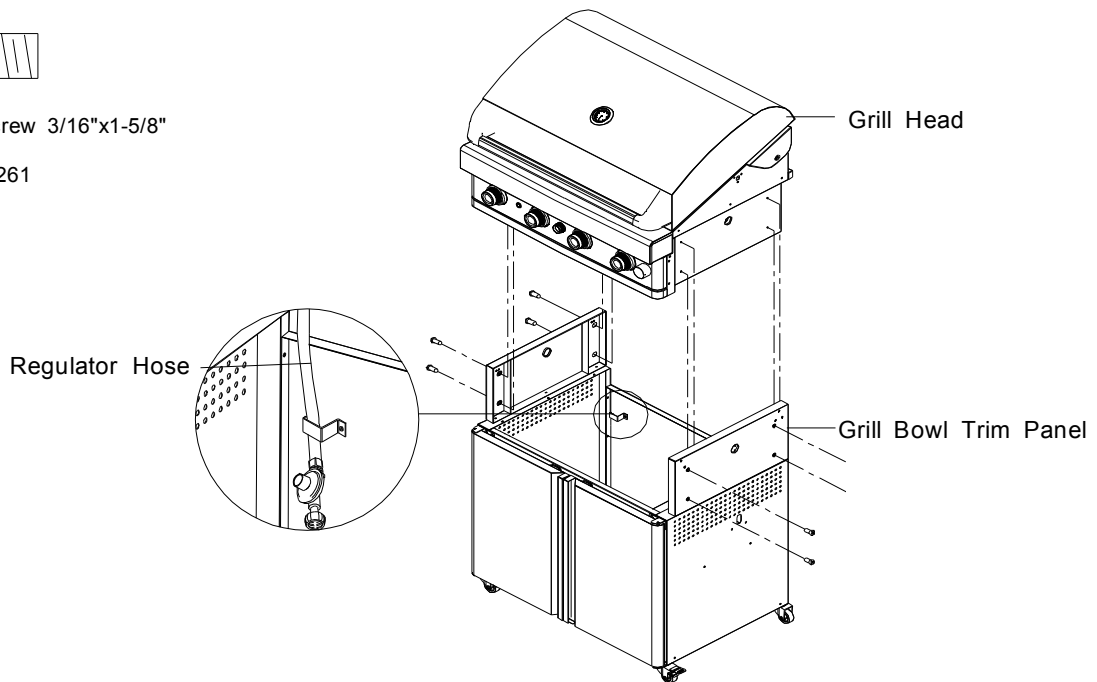


## 10 Install Grill Head

- With the help of your assistants, lift the Grill Head and place it on the top of the Grill Bowl Trim Panels. Make sure the regulator hose sits inside the hose holder as shown.
- Align the holes on the Grill Bowl with the holes on the Trim Panels. Insert the 8 Phillips Head Screws 3/16"x1-5/8" and tighten securely.



Phillips Head Screw 3/16"x1-5/8"  
Qty. 8  
Part # S112G03261



## 11 Install Side Shelves

- Remove pre-assembled 1 Pan Head Screw 3/16"x1/2" and 2 Countersunk Flat Head Screws 3/16"x1/4" from the Right Bowl Side Panel as shown. Keep the 1 Pan Head Screw 3/16"x1/2" for reinstallation.
- Attach the Right Side Shelf onto the Right Bowl Side Panel using 4 Hex Head Screw 3/16"x3/8" and the removed 1 Pan Head Screw 3/16"x1/2" and tighten securely.
- Repeat the same steps for the Left Side Shelf installation.

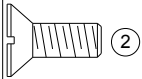


Hex Head Screw 3/16"x3/8"  
Qty. 8  
Part # S162G03064

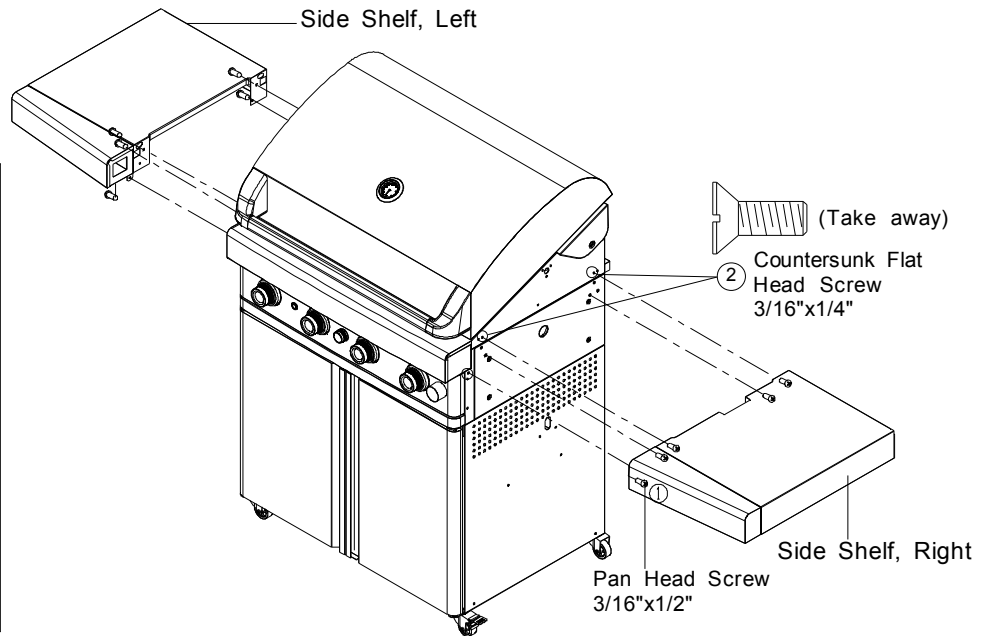
Already installed in grill bowl



Pan Head Screw 3/16"x1/2"  
Qty. 2  
Part # S182G03081



Countersunk Flat Head Screw  
3/16"x1/4"  
Qty. 4  
Part # S112G03041



## 12 Install Transformer

- Open the Doors, locate the 4 key holes on the right side of Cart Rear Panel as shown.
- Attach Transformer to the Cart Rear Panel by inserting 4 stud bolts on the Transformer into the 4 key holes on the Cart Rear Panel. **Press the Transformer downwards until it rest firmly in place. (See Fig.1)**
- Insert Transformer-Plug into Transformer-Socket and tighten securely. **(See Fig. 2)**
- Pull out the Transformer Cord from the hole on the left side of Cart Rear Panel.
- Connect the Transformer power supply cord plug into a properly grounded 120V AC outlet.
- Turn on the Grill Lights by pushing the Light Switch on the Control Panel.

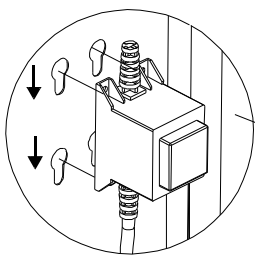


Fig. 1

Pull the Transformer Cord out from the hole.

For illustration purposes, the Grill Head is not shown.

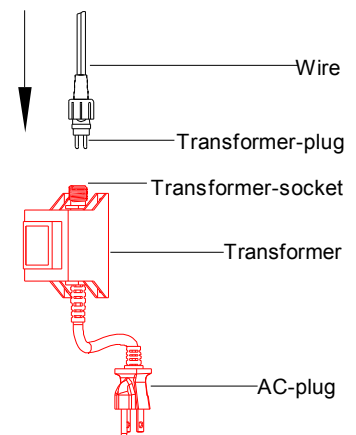
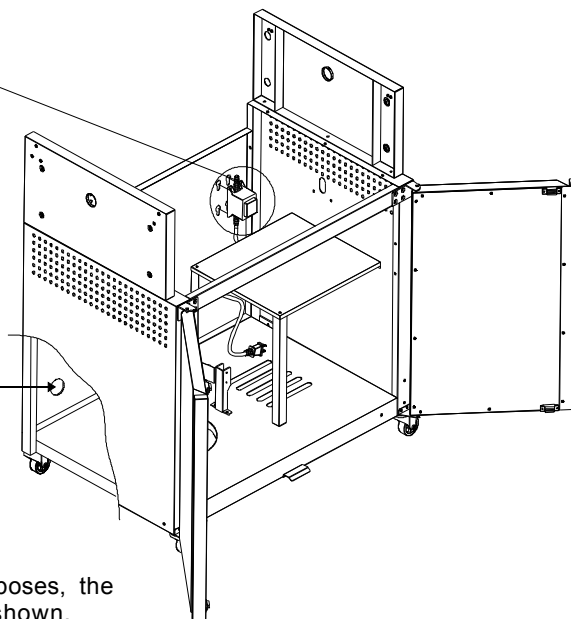


Fig. 2

# 13

## Install LED Control Box(For OB26 & OB32 only)

- Open the Doors, locate the LED Control Box on the right side.
- The LED Control Box is assembled with a old Mounting Bracket for built-in model. Detach the Bracket by removing the two screws.(See Fig.3)
- Replace the Bracket for Cart model. Attach the new Mounting Bracket to the Control Box by using the same screws removed and tighten securely.(See Fig. 4)
- Attach 2 Pan Head Screws 3/16"x3/8" to the front inside edge of Right Cart Side Panel as shown. Tighten the screws only half way. Install the Control Box to the Right Cart Side Panel by aligning the two keyholes in the Mounting Bracket with two screws. Make sure the screw heads are engaged with keyhole slots, pressing the Bracket downward until it rest in place firmly. Double check the wire outlet of the Control Box is facing downward prior tightening the screws to secure the Control Box in place as shown.



Pan Head Screw 3/16"x3/8"  
Qty. 2  
Part # S182G03061

