



# Operator's Manual

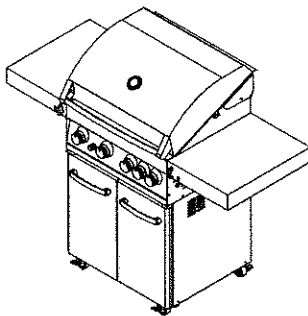


## Liquid Propane Gas (LPG) Grill

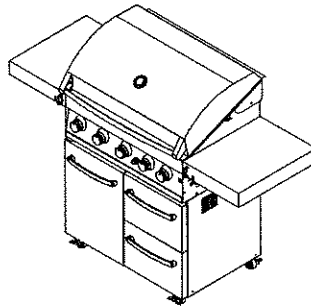
Models STS2611ALP, STS2611BLP, STS3211ALP & STS3211BLP

## Natural Gas (NG) Grill

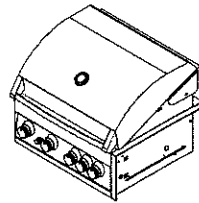
Models STS2611ANG, STS2611BNG, STS3211ANG & STS3211BNG



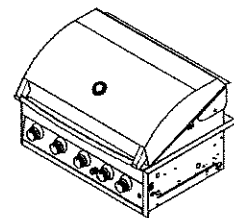
STS2611ALP/NG



STS3211ALP/NG



STS2611BLP/NG



STS3211BLP/NG

### FREE HELP FROM THE GRILL EXPERTS

Grand Hall is the expert on this product and trained to help you with:

- Assembly Questions
- Grill Operation
- Replacement of Damaged or Missing parts

visit [www.grandhall.com](http://www.grandhall.com) or call:

1-877-934-7455  
Monday - Friday 8:00am-4:30pm CST

### IMPORTANT:

- **NOTE TO ASSEMBLER/INSTALLER:**  
Leave this manual with the consumer.
- **NOTE TO CONSUMER:**  
Keep this manual for future reference.
- **RECORD YOUR SERIAL #**

(see silver CSA label on main body of grill)



### WARNING



- Failure to comply with these instructions could result in a fire or explosion that could cause serious bodily injury, death or property damage.
- Whether this grill was assembled by you or someone else, you must read this entire manual before using your grill to ensure the grill is properly assembled, installed and maintained.
- **Use your grill at least 3 feet away from any wall or surface.** Use your grill at least 3 feet away from combustible objects that can melt or catch fire such as vinyl or wood siding, fences and overhangs or sources of ignition including pilot lights on water heaters and live electrical appliances.
- THIS GAS APPLIANCE IS DESIGNED FOR OUTDOOR USE ONLY.
- **Never** use your gas grill in a garage, porch, shed, breezeway or any other enclosed area.
- **Never** obstruct the flow of ventilation air around your gas grill housing.
- **Never** disconnect the gas regulator or any gas fitting while your grill is lit. A lit grill can ignite leaking gas and cause a fire or explosion which could result in property damage, personal injury or death.

## Hardware Parts List for Models STS2611ALP/NG & STS3211ALP/NG

| PART #  | PART DESCRIPTION               | QTY           | PURPOSE OF PART   |
|---|--------------------------------|---------------|---|
| P06006027A                                    | Hardware Pack                  | 1             | For use in assembly of STS2611ALP/NG & STS3211ALP/NG                      |
| S112G0306E                                    | Phillips Head Screw 3/16"x3/8" | 4             | Install the Tank Holder Brackets (for STS2611ALP & STS3211ALP)            |
| S313G03051                                    | Flange Nut 3/16"               | 4             |   |
| S112G0306E                                    | Phillips Head Screw 3/16"x3/8" | 6             | Install the Bowl Brackets to the Cart (for STS2611ALP/NG & STS3211ALP/NG) |
| S313G03051                                    | Flange Nut 3/16"               | 6             |   |
| S112G0406E                                    | Phillips Head Screw 1/4"x3/8"  | 8             | Install the Side Shelves (for STS2611ALP/NG & STS3211ALP/NG)              |
| P055010174                                    | Side Shelf Lock                | 4             |   |
| S112G0308E                                    | Phillips Head Screw 3/16"x1/2" | 2             |   |
| S313G03051                                    | Flange Nut 3/16"               | 8             |   |
| S112G0306E                                    | Phillips Head Screw 3/16"x3/8" | 4 (LP) 2 (NG) | Install the Hose Holders (for STS2611ALP/NG & STS3211ALP/NG)              |
| S313G03051                                    | Flange Nut 3/16"               | 4 (LP) 2 (NG) |   |
| P05536001A                                    | Hose Holder                    | 2 (LP) 1 (NG) |   |
| <b>Already Installed in the Bowl Brackets</b> |                                |               |   |
| S182G04191                                    | Pan Head Screw 1/4"x1-3/16"    | 4             | Install the Bowl to the Cart (for STS2611ALP/NG & STS3211ALP/NG)          |
| <b>Already installed on the Tank Holder</b>   |                                |               |   |
| S233G04084                                    | Wing Bolt 1/4"x1/2"            | 1             | Install Tank Holder Assembly (for STS2611ALP & STS3211ALP)                |

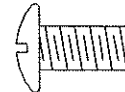
## Hardware Diagram for Models STS2611ALP/NG & STS3211ALP/NG



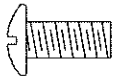
Phillips Head Screw 3/16"x3/8"  
Qty. 14 (for STS2611ALP & STS3211ALP)  
Qty. 8 (for STS2611ANG & STS3211ANG)  
Part # S112G0306E



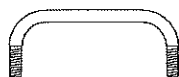
Flange Nut 3/16"  
Qty. 22 (for STS2611ALP & STS3211ALP)  
Qty. 16 (for STS2611ANG & STS3211ANG)  
Part # S313G03051



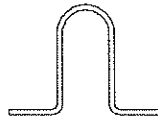
Phillips Head Screw 1/4"x3/8"  
Qty. 8  
(for STS2611ALP/NG & STS3211ALP/NG)  
Part # S112G0406E



Phillips Head Screw 3/16"x1/2"  
Qty. 2  
(for STS2611ALP/NG & STS3211ALP/NG)  
Part # S112G0308E

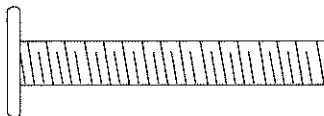


Side Shelf Lock  
Qty. 4  
(for STS2611ALP/NG & STS3211ALP/NG)  
Part # P055010174



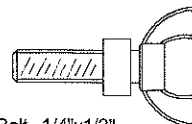
Hose Holder  
Qty. 2 (for STS2611ALP & STS3211ALP)  
Qty. 1 (for STS2611ANG & STS3211ANG)  
Part # P05536001A

For Installing the Bowl to the Cart  
(Already installed in the Bowl Brackets)



Pan Head Screw 1/4"x1-3/16"  
Qty. 4  
(for STS2611ALP/NG & STS3211ALP/NG)  
Part # S182G04191

For Installing the Tank Holder Assembly  
(Already installed in Tank Holder Assembly)

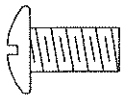


Wing Bolt 1/4"x1/2"  
Qty. 1  
(for STS2611ALP & STS3211ALP)  
Part # S233G04084

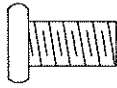
## Hardware Parts List for Models STS2611ALP & STS2611BLP

| PART #                                      | PART DESCRIPTION               | QTY | PURPOSE OF PART                                   |
|---|--------------------------------|-----|---|
| P06006023A                                  | Hardware Pack                  | 1   | For use in assembly STS2611ALP & STS2611BLP       |
| S112G0406E                                  | Phillips Head Screw 1/4"x3/8"  | 12  | Install Bowl Side Trim Brackets (for STS2611BLP)  |
| S182G0406E                                  | Pan Head Screw 1/4"x3/8"       | 2   |   |
| S313G04081                                  | Flange Nut 1/4"                | 8   |   |
| S112G0306A                                  | Phillips Head Screw 3/16"x3/8" | 2   |   |
| S313G0305A                                  | Flange Nut 3/16"               | 2   | Install the LP Regulator Bracket (for STS2611BLP) |
| S112G03066                                  | Phillips Head Screw 3/16"x3/8" | 4   |   |
| S313G03066                                  | Flange Nut 3/16"               | 4   |   |
| <b>Already installed on the Tank Holder</b> |                                |     |   |
| S233G04084                                  | Wing Bolt 1/4"x1/2"            | 1   | Install Tank Holder Assembly (for STS2611BLP)     |

## Hardware Diagram for Models STS2611ALP & STS2611BLP



Phillips Head Screw 1/4"x3/8"  
Qty. 12 (for STS2611BLP)  
Part # S112G0406E



Pan Head Screw 1/4"x3/8"  
Qty. 2 (for STS2611BLP)  
Part # S182G0406E



Flange Nut 1/4"  
Qty. 8 (for STS2611BLP)  
Part # S313G04081



Phillips Head Screw 3/16"x3/8"  
Qty. 2 (for STS2611BLP)  
Part # S112G0306A



Flange Nut 3/16"  
Qty. 2 (for STS2611BLP)  
Part # S313G0305A

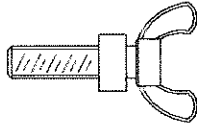


Phillips Head Screw 3/16"x3/8"  
Qty. 4 (for STS2611BLP)  
Part # S112G03066



Flange Nut 3/16"  
Qty. 4 (for STS2611BLP)  
Part # S313G03066

For Installing the Tank Holder Assembly  
(Already installed in Tank Holder Assembly)



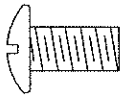
Wing Bolt 1/4"x1/2"  
Qty. 1 (for STS2611BLP)  
Part # S233G04084

\*One Battery/AA included in the Hardware Pack  
(for STS2611ALP & STS2611BLP)

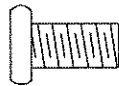
## Hardware Parts List for Models STS3211ALP & STS3211BLP

| PART #                                      | PART DESCRIPTION               | QTY | PURPOSE OF PART                                       |
|---|--------------------------------|-----|---|
| P06006025A                                  | Hardware Pack                  | 1   | For use in assembly for STS3211ALP & STS3211BLP       |
| S112G0406E                                  | Phillips Head Screw 1/4"x3/8"  | 12  | Install Bowl Side Trim Brackets (for STS3211BLP)      |
| S182G0406E                                  | Pan Head Screw 1/4"x3/8"       | 2   |   |
| S313G04081                                  | Flange Nut 1/4"                | 8   |   |
| S112G0308E                                  | Phillips Head Screw 3/16"x1/2" | 4   | Install the Transformer (for STS3211ALP & STS3211BLP) |
| S362G0306E                                  | Hex Nut 3/16"                  | 4   |   |
| S112G0306A                                  | Phillips Head Screw 3/16"x3/8" | 2   | Install the LP Regulator Bracket (for STS3211BLP)     |
| S313G0305A                                  | Flange Nut 3/16"               | 2   |   |
| S112G03066                                  | Phillips Head Screw 3/16"x3/8" | 4   |   |
| S313G03066                                  | Flange Nut 3/16"               | 4   | Install the Tank Holder Brackets (for STS3211BLP)     |
| <b>Already installed on the Tank Holder</b> |                                |     |   |
| S233G04084                                  | Wing Bolt 1/4"x1/2"            | 1   | Install Tank Holder Assembly (for STS3211BLP)         |

## Hardware Diagram for Models STS3211ALP & STS3211BLP



Phillips Head Screw 1/4"x3/8"  
Qty. 12 (for STS3211BLP)  
Part # S112G0406E



Pan Head Screw 1/4"x3/8"  
Qty. 2 (for STS3211BLP)  
Part # S182G0406E



Flange Nut 1/4"  
Qty. 8 (for STS3211BLP)  
Part # S313G04081



Phillips Head Screw 3/16"x1/2"  
Qty. 4  
(for STS3211ALP & STS3211BLP)  
Part # S112G0308E



Hex Nut 3/16"  
Qty. 4  
(for STS3211ALP & STS3211BLP)  
Part # S362G0306E



Phillips Head Screw 3/16"x3/8"  
Qty. 2 (for STS3211BLP)  
Part # S112G0306A



Phillips Head Screw 3/16"x3/8"  
Qty. 4 (for STS3211BLP)  
Part # S112G03066

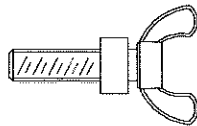


Flange Nut 3/16"  
Qty. 4 (for STS3211BLP)  
Part # S313G03066



Flange Nut 3/16"  
Qty. 2 (for STS3211BLP)  
Part # S313G0305A

For Installing the Tank Holder Assembly  
(Already installed in Tank Holder Assembly)



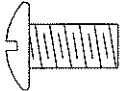
Wing Bolt 1/4"x1/2"  
Qty. 1 (for STS3211BLP)  
Part # S233G04084

\*One Battery/AA included in the Hardware Pack  
(for STS3211ALP & STS3211BLP)

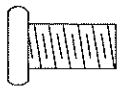
## Hardware Pack for Models STS2611ANG & STS2611BNG

| PART #     | PART DESCRIPTION               | QTY | PURPOSE OF PART  |
|------------|--------------------------------|-----|--|
| P06006024A | Hardware Pack                  | 1   | For use in assembly for Models STS2611ANG & STS2611BNG |
| S112G0406E | Phillips Head Screw 1/4"x3/8"  | 12  | Install Bowl Side Trim Brackets (for STS2611BNG)       |
| S182G0406E | Pan Head Screw 1/4"x3/8"       | 2   |  |
| S313G04081 | Flange Nut 1/4"                | 8   |  |
| S112G0304E | Phillips Head Screw 3/16"x1/4" | 2   | Install the NG Regulator (for STS2611ANG & STS2611BNG) |
| S112G0308E | Phillips Head Screw 3/16"x1/2" | 3   | Install NG Regulator Bracket (for STS2611BNG)          |
| S313G03051 | Flange Nut 3/16"               | 3   |  |

## Hardware Diagram for Models STS2611ANG & STS2611BNG



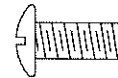
Phillips Head Screw 1/4"x3/8"  
Qty. 12 (for STS2611BNG)  
Part # S112G0406E



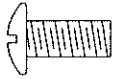
Pan Head Screw 1/4"x3/8"  
Qty. 2 (for STS2611BNG)  
Part # S182G0406E



Flange Nut 1/4"  
Qty. 8 (for STS2611BNG)  
Part # S313G04081



Phillips Head Screw 3/16"x1/4"  
Qty. 2  
(for STS2611ANG & STS2611BNG)  
Part # S112G0304E



Phillips Head Screw 3/16"x1/2"  
Qty. 3 (for STS2611BNG)  
Part # S112G0308E



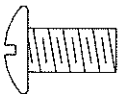
Flange Nut 3/16"  
Qty. 3 (for STS2611BNG)  
Part # S313G03051

\*One Battery/AA included in the Hardware Pack  
(for STS2611ANG & STS2611BNG)

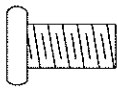
## Hardware Parts List for Models STS3211ANG & STS3211BNG

| PART #     | PART DESCRIPTION               | QTY | PURPOSE OF PART  |
|------------|--------------------------------|-----|--|
| P06006026A | Hardware Pack                  | 1   | For use in assembly for STS3211ANG & STS3211BNG        |
| S112G0406E | Phillips Head Screw 1/4"x3/8"  | 12  | Install Bowl Side Trim Brackets (for STS3211BNG)       |
| S182G0406E | Pan Head Screw 1/4"x3/8"       | 2   |  |
| S313G04081 | Flange Nut 1/4"                | 8   |  |
| S112G0308E | Phillips Head Screw 3/16"x1/2" | 4   | Install the Transformer (for STS3211ANG & STS3211BNG)  |
| S362G0306E | Hex Nut 3/16"                  | 4   |  |
| S112G0304E | Phillips Head Screw 3/16"x1/4" | 2   | Install the NG Regulator (for STS3211ANG & STS3211BNG) |
| S112G0308E | Phillips Head Screw 3/16"x1/2" | 3   | Install NG Regulator Bracket (for STS3211BNG)          |
| S313G03051 | Flange Nut 3/16"               | 3   |  |

## Hardware Diagram for Models STS3211ANG & STS3211BNG



Phillips Head Screw 1/4"x3/8"  
Qty. 12 (for STS3211BNG)  
Part # S112G0406E



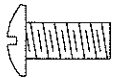
Pan Head Screw 1/4"x3/8"  
Qty. 2 (for STS3211BNG)  
Part # S182G0406E



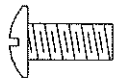
Flange Nut 1/4"  
Qty. 8 (for STS3211BNG)  
Part # S313G04081



Hex Nut 3/16"  
Qty. 4  
(for STS3211ANG & STS3211BNG)  
Part # S362G0306E



Phillips Head Screw 3/16"x1/4"  
Qty. 2  
(for STS3211ANG & STS3211BNG)  
Part # S112G0304E



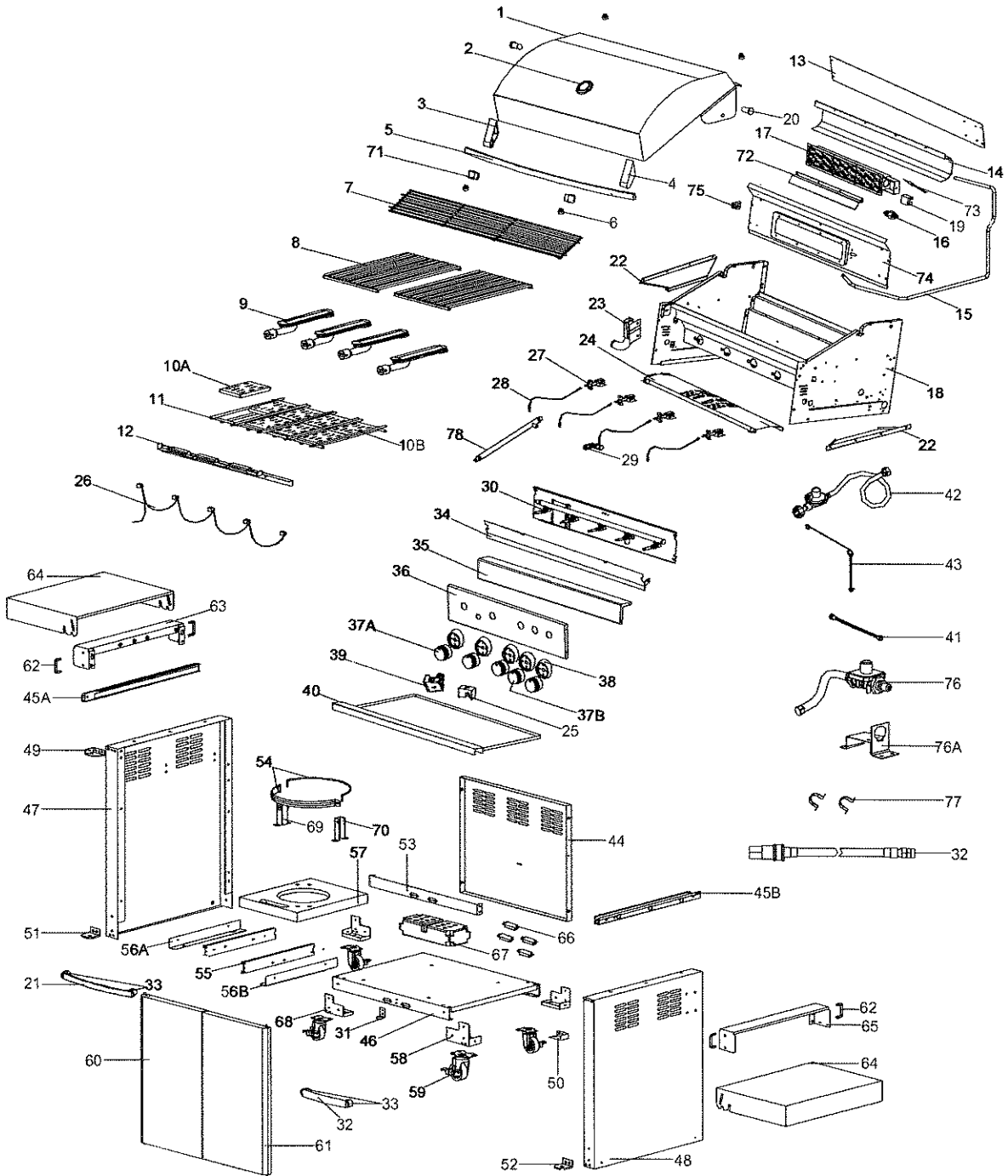
Phillips Head Screw 3/16"x1/2"  
Qty. 4 (for STS3211ANG)  
Qty. 7 (for STS3211BNG)  
Part # S112G0308E



Flange Nut 3/16"  
Qty. 3 (for STS3211BNG)  
Part # S313G03051

\*One Battery/AA included in the Hardware Pack  
(for STS3211ANG & STS3211BNG)

# Parts Diagram for Models STS2611ALP/NG



## Parts List for Model STS2611ALP/NG

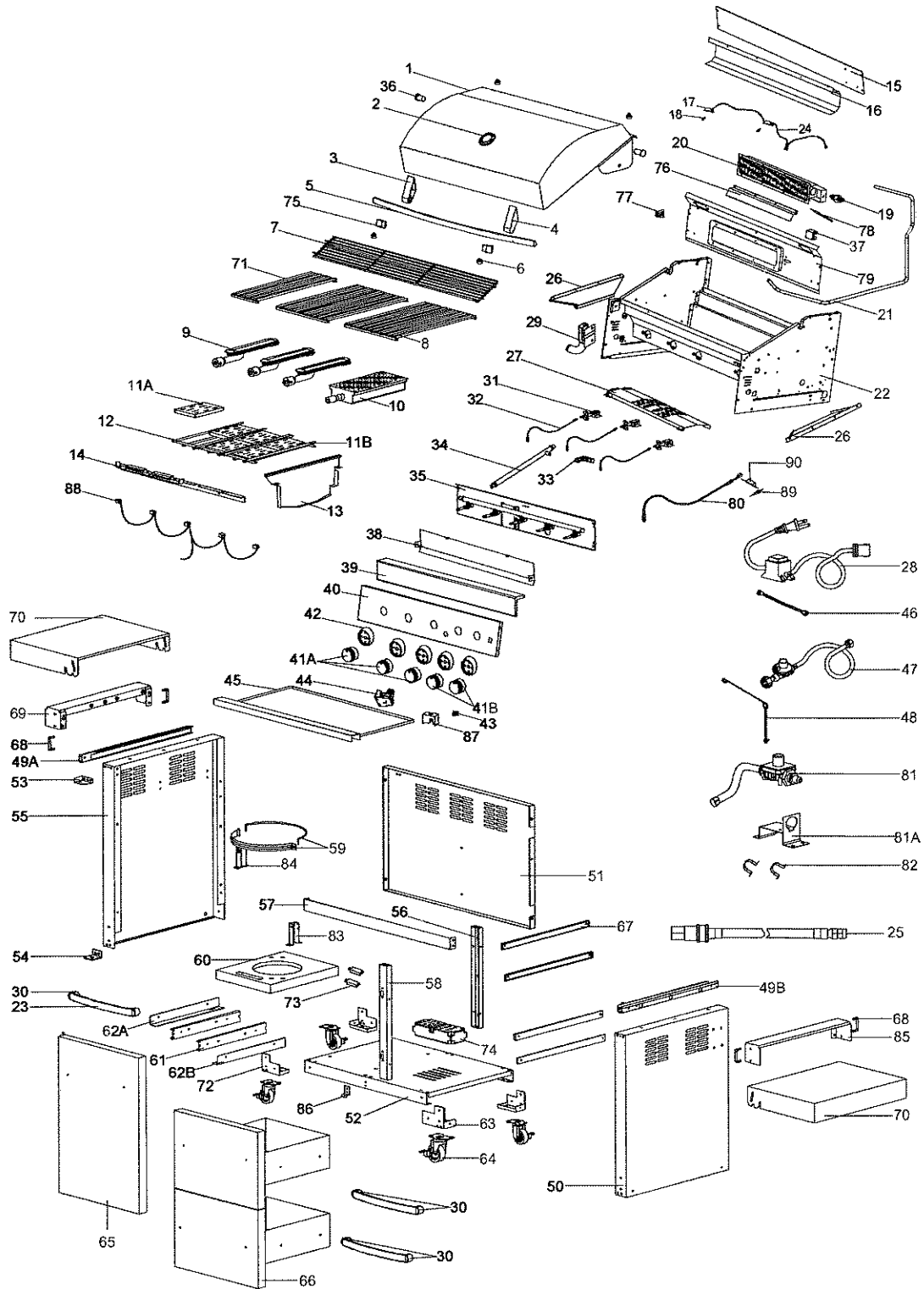
| KEY | DESCRIPTION                             | PART#      | QTY |
|-----|---|------------|-----|
| 1   | Lid Assembly                            | P001462764 | 1   |
| 2   | Temperature Gauge                       | P00601071A | 1   |
| 3   | Lid Handle Bracket, Left                | P03303124A | 1   |
| 4   | Lid Handle Bracket, Right               | P03303125A | 1   |
| 5   | Lid Handle                              | P00218001R | 1   |
| 6   | Protective Pad                          | P05518002I | 4   |
| 7   | Cooking Rack/Secondary                  | P01505009K | 1   |
| 8   | Cooking Grid, 13"                       | P01604013B | 2   |
| 9   | Burner/Main                             | P02003003B | 4   |
| 10A | Flame Tamer/Ceramic, Front              | P01804012A | 4   |
| 10B | Flame Tamer/Ceramic, Rear               | P01804013A | 4   |
| 11  | Flame Tamer Rack                        | P01720038B | 1   |
| 12  | Burner Bracket Assembly                 | P022092154 | 1   |
| 13  | Cart Wind Shield, Rear                  | P069060794 | 1   |
| 14  | Rotisserie Burner Wind Shield           | P069060804 | 1   |
| 15  | Connecting Hose for Rotisserie Burner   | P03717056A | 1   |
| 16  | Rotisserie Burner Orifice (LPG)         | P06534005A | 1   |
|     | Rotisserie Burner Orifice (NG)          | P06534009A | 1   |
| 17  | Rotisserie Burner Assembly              | P02007072A | 1   |
| 18  | Bowl Assembly                           | P0071374D4 | 1   |
| 19  | Thermocouple Bracket/Rotisserie Burner  | P033280494 | 1   |
| 20  | Lid Hinge                               | P05501020A | 2   |
| 21  | Door Handle                             | P00218003R | 2   |
| 22  | Bowl Grease Shield                      | P069020184 | 2   |
| 23  | Lighting Tube                           | P05507012A | 1   |
| 24  | Bowl Heat Shield                        | P069040514 | 1   |
| 25  | Electric Ignitor Protector              | P03328048Q | 1   |
| 26  | Electric Wire Set                       | P02627009A | 1   |
| 27  | Gas Collector Box with Electrode        | P026090154 | 4   |
| 28  | Electrode Wire Set                      | P02615160A | 1   |
| 29  | Extension Fitting for Manifold          | P03902029A | 1   |
| 30  | Gas Valve/Manifold Assembly (LPG)       | Y0060675   | 1   |
|     | Gas Valve/Manifold Assembly (NG)        | Y0060676   | 1   |
| 31  | Door Guide Plate                        | P055100244 | 1   |
| 32  | Hose, 12FT. (NG) 3/8"ID                 | P03703001A | 1   |
| 33  | Door Handle Bracket                     | P00217002I | 4   |
| 34  | Control Panel Heat Shield               | P06919003B | 1   |
| 35  | Control Panel, Upper                    | P02913441X | 1   |
| 36  | Control Panel, Lower                    | P02913456X | 1   |
| 37A | Control Knob/Main Burner                | P03419583L | 4   |
| 37B | Control Knob/Rotisserie/Infrared Burner | P03419593L | 1   |
| 38  | Control Knob Seat                       | P03413033J | 5   |
| 39  | Electric Ignitor, 5-Port                | P02502298C | 1   |
| 40  | Grease Tray Assembly                    | P027064034 | 1   |
| 41  | Extension Tube                          | P03720003A | 1   |
| 42  | Regulator with Hose (LPG)               | P03601040A | 1   |
| 43  | Lighting Stick                          | P05313025B | 1   |
| 44  | Cart Panel/Rear                         | P077010824 | 1   |
| 45A | Bowl Bracket, Left                      | P01301014K | 1   |
| 45B | Bowl Bracket, Right                     | P01302014K | 1   |
| 46  | Cart Bottom Shelf                       | P010060524 | 1   |
| 47  | Cart Side Panel, Left                   | P076170484 | 1   |

## Parts List for Models STS2611ALP/NG

| KEY | DESCRIPTION                        | PART#      | QTY |
|-----|------------------------------------|------------|-----|
| 48  | Cart Side Panel, Right             | P076180494 | 1   |
| 49  | Door Hinge Bracket, Upper Left     | P033020144 | 1   |
| 50  | Door Hinge Bracket, Upper Right    | P033020154 | 1   |
| 51  | Door Hinge, Left/Lower             | P033020374 | 1   |
| 52  | Door Hinge, Right/Lower            | P033020384 | 1   |
| 53  | Cart Bracket, Front                | P033050744 | 1   |
| 54  | Tank Holder Assembly (LPG)         | P053580034 | 1   |
| 55  | Slide Set                          | P05516013C | 2   |
| 56A | Slide Set Support, Left            | P033280664 | 1   |
| 56B | Slide Set Support, Right           | P033280674 | 1   |
| 57  | Tank Tray                          | P040110024 | 1   |
| 58  | Caster Seat, Right Front/Left Rear | P03305078F | 2   |
| 59  | Caster, 2.5" with Brake            | P05110006D | 4   |
| 60  | Door Assembly, Left                | P043020514 | 1   |
| 61  | Door Assembly, Right               | P043030514 | 1   |
| 62  | Side Shelf Lock                    | P055010174 | 4   |
| 63  | Side Shelf Bracket, Left           | P03311046C | 1   |
| 64  | Side Shelf                         | P011050424 | 2   |
| 65  | Side Shelf Bracket, Right          | P03311047C | 1   |
| 66  | Door Magnet                        | P05523004K | 4   |
| 67  | Weight                             | P05344003Q | 1   |
| 68  | Caster Seat, Left Front/Right Rear | P03305079F | 2   |
| 69  | Tank Holder Bracket, Left (LPG)    | P033040554 | 1   |
| 70  | Tank Holder Bracket, Right (LPG)   | P033040564 | 1   |
| 71  | Lid Handle Heat Insulating Spacer  | P06802007A | 2   |
| 72  | Rotisserie Burner Wind Shield      | P069060824 | 1   |
| 73  | Thermocouple for Rotisserie Burner | P05305062A | 1   |
| 74  | Rotisserie Burner Frame            | P020110654 | 1   |
| 75  | Rotisserie Burner Electrode        | P02614025A | 1   |
| 76  | Regulator with Hose Assembly (NG)  | P03614007A | 1   |
| 76A | Bracket for NG Regulator (NG)      | P033040544 | 1   |
| 77  | Hose Holder/Grill (LPG)            | P055360014 | 2   |
|     | Hose Holder/Grill (NG)             | P055360014 | 1   |
| 78  | Gas Valve/Manifold Extension       | P05005392G | 1   |
|     | Rotisserie Assembly                | Y0250171   | 1   |
|     | Hardware Pack (Cart)               | P06006027A | 1   |
|     | Hardware Pack (LPG)                | P06006023A | 1   |
|     | Hardware Pack (NG)                 | P06006024A | 1   |
|     | Operator's Manual                  | P80151035B | 1   |



# Parts Diagram for Models STS3211ALP/NG



## Parts List for Models STS3211ALP/NG

| KEY | DESCRIPTION                             | PART#      | QTY |
|-----|---|------------|-----|
| 1   | Lid Assembly                            | P001473364 | 1   |
| 2   | Temperature Gauge                       | P00601071A | 1   |
| 3   | Lid Handle Bracket, Left                | P03303124A | 1   |
| 4   | Lid Handle Bracket, Right               | P03303125A | 1   |
| 5   | Lid Handle                              | P00218002R | 1   |
| 6   | Protective Pad                          | P05518002I | 4   |
| 7   | Cooking Rack/Secondary                  | P01516004B | 1   |
| 8   | Cooking Grid, 13"                       | P01604013B | 2   |
| 9   | Burner/Main                             | P02003003B | 3   |
| 10  | Infrared Burner                         | P02005026B | 1   |
| 11A | Flame Tamer/Ceramic, Front              | P01804012A | 3   |
| 11B | Flame Tamer/Ceramic, Rear               | P01804013A | 3   |
| 12  | Flame Tamer Rack                        | P01722002B | 1   |
| 13  | Burner Heat Shield                      | P069060454 | 1   |
| 14  | Burner Bracket Assembly                 | P02203145A | 1   |
| 15  | Cart Wind Shield, Rear                  | P069060814 | 1   |
| 16  | Rotisserie Burner Wind Shield           | P069060464 | 1   |
| 17  | Light Cover Set                         | P053830034 | 2   |
| 18  | Light, 12V, 10W                         | P05383002B | 2   |
| 19  | Rotisserie Burner Orifice (LPG)         | P06534005A | 1   |
|     | Rotisserie Burner Orifice (NG)          | P06534009A | 1   |
| 20  | Rotisserie Burner Assembly              | P02007072A | 1   |
| 21  | Rotisserie Burner Extension Tube        | P03717050B | 1   |
| 22  | Bowl Assembly                           | P0071375D4 | 1   |
| 23  | Door Handle                             | P00218003R | 3   |
| 24  | Light Wire Set                          | P05352005B | 1   |
| 25  | Hose, 12FT. (NG) 3/8"ID                 | P03703001A | 1   |
| 26  | Bowl Grease Shield                      | P069020184 | 2   |
| 27  | Bowl Heat Shield                        | P069030564 | 1   |
| 28  | Transformer                             | P05374003B | 1   |
| 29  | Lighting Tube                           | P05507012A | 1   |
| 30  | Door Handle Bracket                     | P00217002I | 6   |
| 31  | Gas Collector Box with Electrode        | P026090154 | 3   |
| 32  | Electrode Wire Set                      | P02615161A | 1   |
| 33  | Extension Fitting for Manifold          | P03902029A | 1   |
| 34  | Gas Valve/Manifold Extension            | P05005392G | 1   |
| 35  | Gas Valve/Manifold Assembly (LPG)       | Y0060673   | 1   |
|     | Gas Valve/Manifold Assembly (NG)        | Y0060674   | 1   |
| 36  | Lid Hinge                               | P05501020A | 2   |
| 37  | Thermocouple Bracket/Rotisserie Burner  | P033280494 | 1   |
| 38  | Control Panel Heat Shield               | P06919002B | 1   |
| 39  | Control Panel, Upper                    | P02915271X | 1   |
| 40  | Control Panel, Lower                    | P02915286X | 1   |
| 41A | Control Knob/Main Burner                | P03419583L | 3   |
| 41B | Control Knob/Rotisserie/Infrared Burner | P03419593L | 2   |
| 42  | Control Knob Seat                       | P03413033J | 5   |
| 43  | Switch for Light                        | P05360002B | 1   |
| 44  | Electric Ignitor, 5-Port                | P02502298C | 1   |
| 45  | Grease Tray Assembly                    | P027071034 | 1   |
| 46  | Extension Tube                          | P03720003A | 1   |
| 47  | Regulator with Hose (LPG)               | P03601040A | 1   |
| 48  | Lighting Stick                          | P05313022B | 1   |
| 49A | Bowl Bracket, Left                      | P01301014K | 1   |
| 49B | Bowl Bracket, Right                     | P01302014K | 1   |
| 50  | Cart Side Panel, Right                  | P076180494 | 1   |
| 51  | Cart Panel/Rear                         | P077021144 | 1   |

## Parts List for Models STS3211ALP/NG

| KEY | DESCRIPTION                                     | PART#      | QTY |
|-----|---|------------|-----|
| 52  | Cart Bottom Shelf                               | P010020714 | 1   |
| 53  | Door Hinge Bracket, Upper Left                  | P033020144 | 1   |
| 54  | Door Hinge, Left/Lower                          | P033020374 | 1   |
| 55  | Cart Side Panel, Left                           | P076170484 | 1   |
| 56  | Side Shelf Bracket, Rear                        | P033110454 | 1   |
| 57  | Cart Bracket, Front                             | P033050804 | 1   |
| 58  | Side Shelf Bracket, Front                       | P033110424 | 1   |
| 59  | Tank Holder Assembly (LPG)                      | P053580034 | 1   |
| 60  | Tank Tray                                       | P040110024 | 1   |
| 61  | Slide Set                                       | P05516013C | 2   |
| 62A | Slide Set Support, Left                         | P033280664 | 1   |
| 62B | Slide Set Support, Right                        | P033280674 | 1   |
| 63  | Caster Seat, Right Front/Left Rear              | P03305078F | 2   |
| 64  | Caster, 2.5" with Brake                         | P05110006D | 4   |
| 65  | Door Assembly                                   | P043010464 | 1   |
| 66  | Drawer Assembly                                 | P01913002I | 2   |
| 67  | Slide Set for Drawer                            | P05516141C | 4   |
| 68  | Side Shelf Lock                                 | P055010174 | 4   |
| 69  | Side Shelf Bracket, Left                        | P03311046C | 1   |
| 70  | Side Shelf                                      | P011050424 | 2   |
| 71  | Cooking Grid, 6.5"                              | P01604031B | 1   |
| 72  | Caster Seat, Left Front/Right Rear              | P03305079F | 2   |
| 73  | Door Magnet                                     | P05523004K | 2   |
| 74  | Weight  | P05344009Q | 1   |
| 75  | Lid Handle Heat Insulating Spacer               | P06802007A | 2   |
| 76  | Rotisserie Burner Wind Shield                   | P069060824 | 1   |
| 77  | Rotisserie Burner Electrode                     | P02614025A | 1   |
| 78  | Thermocouple for Rotisserie Burner              | P05305051A | 1   |
| 79  | Rotisserie Burner Frame                         | P020110664 | 1   |
| 80  | Infrared Burner Electrode/Thermocouple Assembly | P02614056A | 1   |
| 81  | Regulator with Hose Assembly (NG)               | P03614007A | 1   |
| 81A | Bracket for NG Regulator (NG)                   | P033040544 | 1   |
| 82  | Hose Holder/Grill (LPG)                         | P055360014 | 2   |
|     | Hose Holder/Grill (NG)                          | P055360014 | 1   |
| 83  | Tank Holder Bracket, Left (LPG)                 | P033040554 | 1   |
| 84  | Tank Holder Bracket, Right (LPG)                | P033040564 | 1   |
| 85  | Side Shelf Bracket, Right                       | P03311047C | 1   |
| 86  | Door Guide Plate                                | P055100244 | 1   |
| 87  | Electric Ignitor Protector                      | P03328048Q | 1   |
| 88  | Electric Wire Set                               | P02627010A | 1   |
| 89  | Thermocouple for Infrared Burner                | P05305050A | 1   |
| 90  | Thermocouple Bracket                            | P03343008C | 1   |
|     | Rotisserie Assembly                             | Y0250172   | 1   |
|     | Hardware Pack (Cart)                            | P06006027A | 1   |
|     | Hardware Pack (LPG)                             | P06006025A | 1   |
|     | Hardware Pack (NG)                              | P06006026A | 1   |
|     | Operator's Manual                               | P80151035B | 1   |

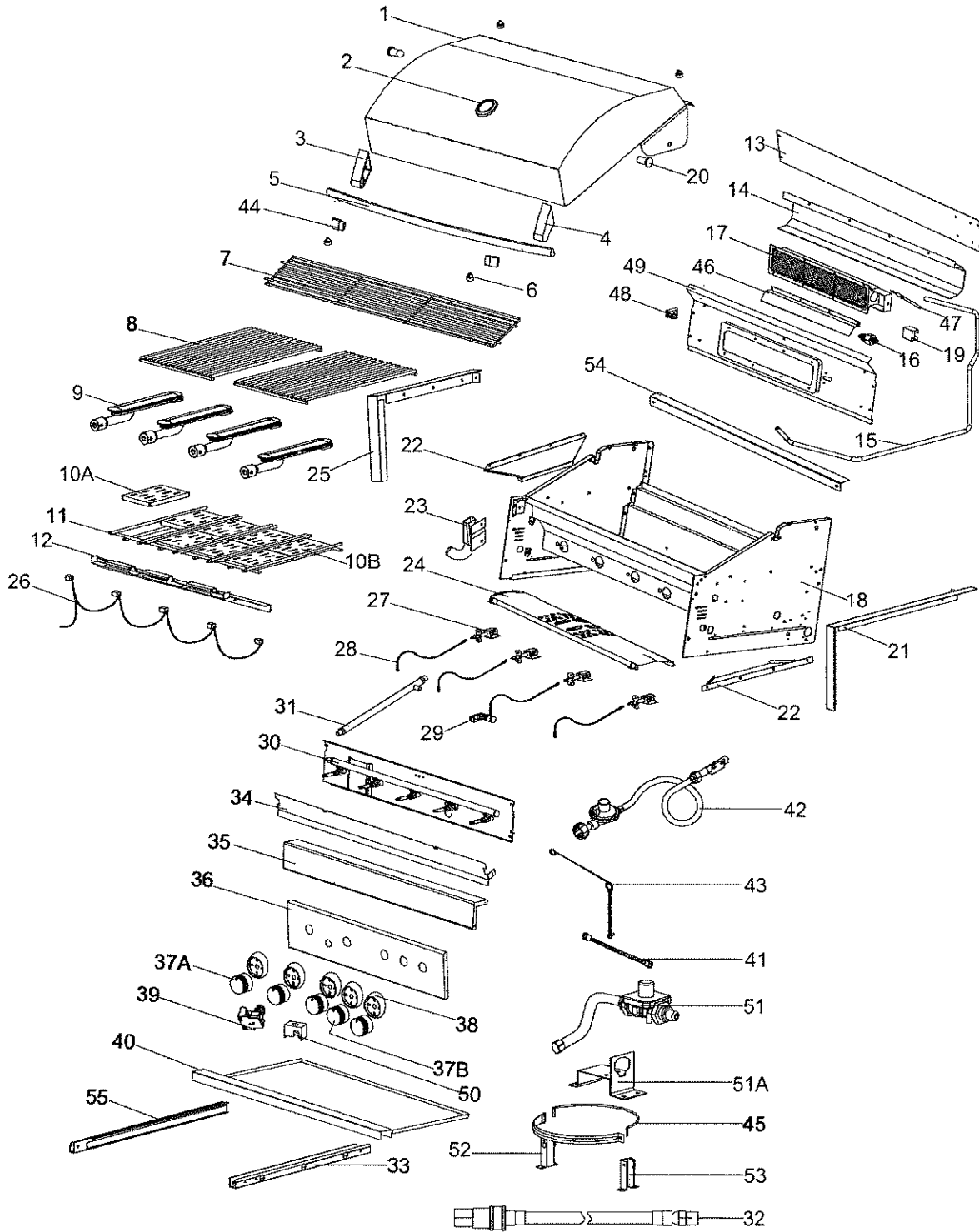
For the repair or replacement parts you need:  
Call 1-877-934-7455 M-F 8AM-4:30 PM CST

To obtain the correct replacement parts for your gas grill, please refer to the part numbers in this parts list. The following information is required to ensure you receive the correct parts:

1. Model and Serial Number (see CSA label on grill)
2. Part Number
3. Part Description
4. Quantity of parts needed

**Important:** Use only Grand Hall replacement parts. The use of any part that is not a Grand Hall replacement part can be dangerous and will also void your product warranty. Keep this Operator's Manual for convenient referral and for part replacement.

# Parts Diagram for Models STS2611BLP/NG



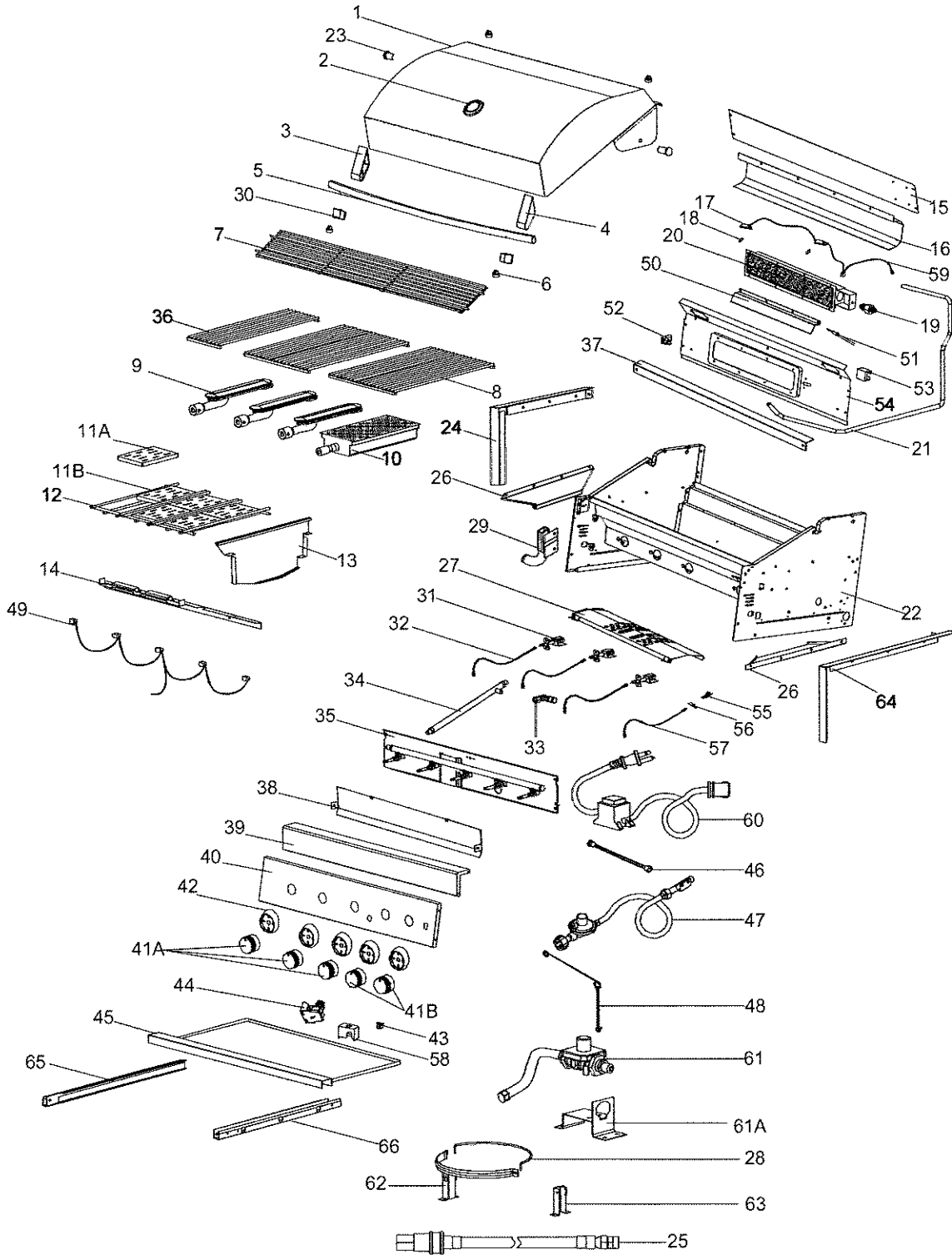
## Parts List for Models STS2611BLP/NG

| KEY | DESCRIPTION                             | PART#      | QTY |
|-----|---|------------|-----|
| 1   | Lid Assembly                            | P001462764 | 1   |
| 2   | Temperature Gauge                       | P00601071A | 1   |
| 3   | Lid Handle Bracket, Left                | P03303124A | 1   |
| 4   | Lid Handle Bracket, Right               | P03303125A | 1   |
| 5   | Lid Handle                              | P00218001R | 1   |
| 6   | Protective Pad                          | P05518002I | 4   |
| 7   | Cooking Rack/Secondary                  | P01505009K | 1   |
| 8   | Cooking Grid, 13"                       | P01604013B | 2   |
| 9   | Burner/Main                             | P02003003B | 4   |
| 10A | Flame Tamer/Ceramic, Front              | P01804012A | 4   |
| 10B | Flame Tamer/Ceramic, Rear               | P01804013A | 4   |
| 11  | Flame Tamer Rack                        | P01720038B | 1   |
| 12  | Burner Bracket Assembly                 | P022092154 | 1   |
| 13  | Cart Wind Shield, Rear                  | P069060794 | 1   |
| 14  | Rotisserie Burner Wind Shield           | P069060804 | 1   |
| 15  | Connecting Hose for Rotisserie Burner   | P03717056A | 1   |
| 16  | Rotisserie Burner Orifice (LPG)         | P06534005A | 1   |
|     | Rotisserie Burner Orifice (NG)          | P06534009A | 1   |
| 17  | Rotisserie Burner Assembly              | P02007072A | 1   |
| 18  | Bowl Assembly                           | P0071374D4 | 1   |
| 19  | Thermocouple Bracket/Rotisserie Burner  | P033280494 | 1   |
| 20  | Lid Hinge                               | P05501020A | 2   |
| 21  | Bowl Trim Bracket, Right                | P079010374 | 1   |
| 22  | Bowl Grease Shield                      | P069020184 | 2   |
| 23  | Lighting Tube                           | P05507012A | 1   |
| 24  | Bowl Heat Shield                        | P069040514 | 1   |
| 25  | Bowl Trim Bracket, Left                 | P079010364 | 1   |
| 26  | Electric Wire Set                       | P02627009A | 1   |
| 27  | Gas Collector Box with Electrode        | P026090154 | 4   |
| 28  | Electrode Wire Set                      | P02615160A | 1   |
| 29  | Extension Fitting for Manifold          | P03902029A | 1   |
| 30  | Gas Valve/Manifold Assembly (LPG)       | Y0060675   | 1   |
|     | Gas Valve/Manifold Assembly (NG)        | Y0060676   | 1   |
| 31  | Gas Valve/Manifold Extension            | P05005392G | 2   |
| 32  | Hose, 12FT. (NG) 3/8"ID                 | P03703001A | 1   |
| 33  | Bowl Bracket, Right                     | P01302014K | 1   |
| 34  | Control Panel Heat Shield               | P06919003B | 1   |
| 35  | Control Panel, Upper                    | P02913441X | 1   |
| 36  | Control Panel, Lower                    | P02913456X | 1   |
| 37A | Control Knob/Main Burner                | P03419583L | 4   |
| 37B | Control Knob/Rotisserie/Infrared Burner | P03419593L | 1   |
| 38  | Control Knob Seat                       | P03413033J | 5   |
| 39  | Electric Ignitor, 5-Port                | P02502298C | 1   |
| 40  | Grease Tray Assembly                    | P027064034 | 1   |
| 41  | Extension Tube                          | P03720003A | 1   |
| 42  | Regulator with Hose (LPG)               | P03601043A | 1   |
| 43  | Lighting Stick                          | P05313025B | 1   |
| 44  | Lid Handle Heat Insulating Spacer       | P06802007A | 2   |
| 45  | Tank Holder Assembly (LPG)              | P05358003H | 1   |

## Parts List for Models STS2611BLP/NG

| KEY | DESCRIPTION                        | PART#      | QTY |
|-----|------------------------------------|------------|-----|
| 46  | Rotisserie Burner Wind Shield      | P069060824 | 1   |
| 47  | Thermocouple for Rotisserie Burner | P05305062A | 1   |
| 48  | Rotisserie Burner Electrode        | P02614025A | 1   |
| 49  | Rotisserie Burner Frame            | P020110654 | 1   |
| 50  | Electric Ignitor Protector         | P03328048Q | 1   |
| 51  | Regulator with Hose Assembly (NG)  | P03614007A | 1   |
| 51A | Bracket for NG Regulator (NG)      | P033040544 | 1   |
| 52  | Tank Holder Bracket, Left (LPG)    | P03304055F | 1   |
| 53  | Tank Holder Bracket, Right (LPG)   | P03304056F | 1   |
| 54  | Bowl Trim Bracket, Rear            | P079010294 | 1   |
| 55  | Bowl Bracket, Left                 | P01301014K | 1   |
|     | Rotisserie Assembly                | Y0250171   | 1   |
|     | Hardware Pack (LPG)                | P06006023A | 1   |
|     | Hardware Pack (NG )                | P06006024A | 1   |
|     | Operator's Manual                  | P80151035B | 1   |

# Parts Diagram for Models STS3211BLP/NG



## Parts List for Models STS3211BLP/NG

| KEY | DESCRIPTION                             | PART#      | QTY |
|-----|---|------------|-----|
| 1   | Lid Assembly                            | P001473364 | 1   |
| 2   | Temperature Gauge                       | P00601071A | 1   |
| 3   | Lid Handle Bracket, Left                | P03303124A | 1   |
| 4   | Lid Handle Bracket, Right               | P03303125A | 1   |
| 5   | Lid Handle                              | P00218002R | 1   |
| 6   | Protective Pad                          | P05518002I | 4   |
| 7   | Cooking Rack/Secondary                  | P01516004B | 1   |
| 8   | Cooking Grid, 13"                       | P01604013B | 2   |
| 9   | Burner/Main                             | P02003003B | 3   |
| 10  | Infrared Burner                         | P02005026B | 1   |
| 11A | Flame Tamer/Ceramic, Front              | P01804012A | 3   |
| 11B | Flame Tamer/Ceramic, Rear               | P01804013A | 3   |
| 12  | Flame Tamer Rack                        | P01722002B | 1   |
| 13  | Burner Heat Shield                      | P069060454 | 1   |
| 14  | Burner Bracket Assembly                 | P02203145A | 1   |
| 15  | Cart Wind Shield, Rear                  | P069060814 | 1   |
| 16  | Rotisserie Burner Wind Shield           | P069060464 | 1   |
| 17  | Light Cover Set                         | P053830034 | 2   |
| 18  | Light, 12V, 10W                         | P05383002B | 2   |
| 19  | Rotisserie Burner Orifice (LPG)         | P06534005A | 1   |
|     | Rotisserie Burner Orifice (NG)          | P06534009A | 1   |
| 20  | Rotisserie Burner Assembly              | P02007072A | 1   |
| 21  | Rotisserie Burner Extension Tube        | P03717050B | 1   |
| 22  | Bowl Assembly                           | P0071375D4 | 1   |
| 23  | Lid Hinge                               | P05501020A | 2   |
| 24  | Bowl Trim Bracket, Left                 | P079010364 | 1   |
| 25  | Hose, 12FT. (NG) 3/8"ID                 | P03703001A | 1   |
| 26  | Bowl Grease Shield                      | P069020184 | 2   |
| 27  | Bowl Heat Shield                        | P069030564 | 1   |
| 28  | Tank Holder Assembly (LPG)              | P05358003H | 1   |
| 29  | Lighting Tube                           | P05507012A | 1   |
| 30  | Lid Handle Heat Insulating Spacer       | P06802007A | 2   |
| 31  | Gas Collector Box with Electrode        | P026090154 | 3   |
| 32  | Electrode Wire Set                      | P02615161A | 1   |
| 33  | Extension Fitting for Manifold          | P03902029A | 1   |
| 34  | Gas Valve/Manifold Extension            | P05005392G | 1   |
| 35  | Gas Valve/Manifold Assembly (LPG)       | Y0060673   | 1   |
|     | Gas Valve/Manifold Assembly (NG)        | Y0060674   | 1   |
| 36  | Cooking Grid, 6.5"                      | P01604031B | 1   |
| 37  | Bowl Trim Bracket, Rear                 | P079010284 | 1   |
| 38  | Control Panel Heat Shield               | P06919002B | 1   |
| 39  | Control Panel, Upper                    | P02915271X | 1   |
| 40  | Control Panel, Lower                    | P02915286X | 1   |
| 41A | Control Knob/Main Burner                | P03419583L | 3   |
| 41B | Control Knob/Rotisserie/Infrared Burner | P03419593L | 2   |
| 42  | Control Knob Seat                       | P03413033J | 5   |
| 43  | Switch for Light                        | P05360002B | 1   |
| 44  | Electric Ignitor, 5-port                | P02502298C | 1   |
| 45  | Grease Tray Assembly                    | P027071034 | 1   |
| 46  | Extension Tube                          | P03720003A | 1   |



## Parts List for Models STS3211BLP/NG

| KEY | DESCRIPTION                                     | PART#      | QTY |
|-----|---|------------|-----|
| 47  | Regulator with Hose (LPG)                       | P03601043A | 1   |
| 48  | Lighting Stick                                  | P05313022B | 1   |
| 49  | Electric Wire Set                               | P02627010A | 1   |
| 50  | Rotisserie Burner Wind Shield                   | P069060824 | 1   |
| 51  | Thermocouple for Rotisserie Burner              | P05305051A | 1   |
| 52  | Rotisserie Burner Electrode                     | P02614025A | 1   |
| 53  | Thermocouple Bracket/Rotisserie Burner          | P033280494 | 1   |
| 54  | Rotisserie Burner Frame                         | P020110664 | 1   |
| 55  | Thermocouple for Infrared Burner                | P05305050A | 1   |
| 56  | Thermocouple Bracket                            | P03343008C | 1   |
| 57  | Infrared Burner Electrode/Thermocouple Assembly | P02614056A | 1   |
| 58  | Electric Ignitor Protector                      | P03328048Q | 1   |
| 59  | Light Wire Set                                  | P05352005B | 1   |
| 60  | Transformer                                     | P05374003B | 1   |
| 61  | Regulator with Hose Assembly (NG)               | P03614007A | 1   |
| 61A | Bracket for NG Regulator (NG)                   | P033040544 | 1   |
| 62  | Tank Holder Bracket, Left (LPG)                 | P03304055F | 1   |
| 63  | Tank Holder Bracket, Right (LPG)                | P03304056F | 1   |
| 64  | Bowl Trim Bracket, Right                        | P079010374 | 1   |
| 65  | Bowl Bracket, Left                              | P01301014K | 1   |
| 66  | Bowl Bracket, Right                             | P01302014K | 1   |
|     | Rotisserie Assembly                             | Y0250172   | 1   |
|     | Hardware Pack (LPG)                             | P06006025A | 1   |
|     | Hardware Pack (NG)                              | P06006026A | 1   |
|     | Operator's Manual                               | P80151035B | 1   |

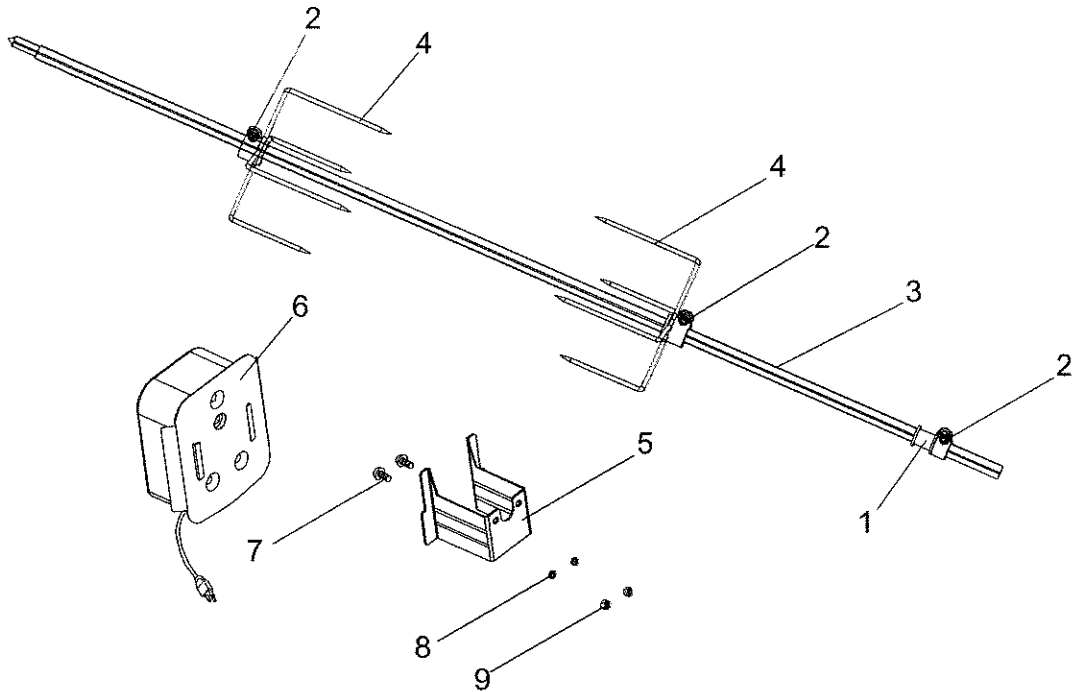
For the repair or replacement parts you need:  
Call 1-877-934-7455 M-F 8AM-4:30 PM CST

To obtain the correct replacement parts for your gas grill, please refer to the part numbers in this parts list. The following information is required to ensure you receive the correct parts:

1. Model and Serial Number (see CSA label on grill)
2. Part Number
3. Part Description
4. Quantity of parts needed

**Important:** Use only Grand Hall replacement parts. The use of any part that is not a Grand Hall replacement part can be dangerous and will also void your product warranty. Keep this Operator's Manual for convenient referral and for part replacement.

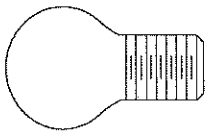
## Rotisserie Assembly Parts Diagram



## Rotisserie Assembly Parts List

| KEY | DESCRIPTION                          | PART#      | QTY |
|-----|--------------------------------------|------------|-----|
| 1.  | Rot. Collar                          | P05508177F | 1   |
| 2.  | Rot. Thumbscrew 1/4"x1/2"            | S196G04084 | 3   |
| 3.  | Rot. Spit (for STS2611ALP/NG Models) | P05508202F | 1   |
|     | Rot. Spit (for STS3211ALP/NG Models) | P05508203F | 1   |
| 4.  | Rot. Holding Fork                    | P05508023F | 2   |
| 5.  | Rot. Motor Bracket                   | P05508174F | 1   |
| 6.  | Rot. Motor/AC                        | P07101039B | 1   |
| 7.  | Rot. Screw#10-24x3/4"UNC             | S112G10124 | 2   |
| 8.  | Rot. Washer 3/16"                    | S411G03084 | 2   |
| 9.  | Rot. Nut #10-24                      | S362G10124 | 2   |

## Hardware for Rotisserie



Rot. Thumbscrew  
1/4"x1/2"  
Qty. 3  
Part # S196G04084



Rot. Screw#10-24x3/4"  
UNC  
Qty. 2  
Part # S112G10124



Rot. Washer 3/16"  
Qty. 2  
Part # S411G03084



Rot. Nut.#10-24  
Qty. 2  
Part # S362G10124

Grill Information Center: If you have questions about assembly or grill operation, or if there are damaged or missing parts when you unpack this unit from the shipping box, Call **1-877-934-7455** M-F 8AM-4:30 PM CST

## Grand Home Holdings dba Barbeques Galore Limited Warranty

Barbeques Galore will warrant to the ORIGINAL PURCHASER of this gas grill that it will be free of defects in material and workmanship for set periods below from the date of purchase when used under normal outdoor use and correct assembly.

- **Burners, Cooking Grids - 5 year Limited Warranty (No rust through or burn through)**
- **Infrared burner - 3 year Limited Warranty**
- **Flame Tamers, Valves, and Plastic Components - 2 year Limited Warranty**
- **Electric Components - 1 year Limited Warranty**
- **All other stainless steel parts - 3 year Limited Warranty**
- **All remaining parts - 2 year Limited Warranty**

Barbeques Galore will require reasonable proof of your date of purchase. Therefore, you should send in the owner registration card and save your receipt in case it is required as proof of purchase.

This Limited warranty is limited to replacement of parts at Barbeque Galore's option that proved to be defective under normal use and service. You will be charged for shipping and handling of the replacement parts.

Barbeques Galore may require the return of defective parts for examination before issuing replacement parts. If you are required to return defective parts, shipping charges must be prepaid by the customer.

Upon examination and to Barbeque Galore's determination, if the original part is proven defective, Barbeque's Galore may approve your claim and elect to replace such parts without charge. In any instance, customer is responsible for shipping and handling of the replacement parts.

This Warranty does not cover any failures or operating difficulties due to accidents, abuse, misuse, alteration, misapplication, vandalism, improper installation, maintenance or service, damages caused by flashback fire or grease fires, as set out in the Operator's Manual.

This warranty does not cover scratches, dents, corrosion or discoloration caused by weather, heat, abrasive and chemical cleaners, pool or spa chemicals, and/or any tools used in the assembly or installation of this unit. This warranty does not cover paint loss, surface rust, corrosion or stainless steel discoloration which is considered normal wear and tear. This warranty does not cover the cost of any inconvenience, personal injury or property damage due to improper use or product failure.

Deterioration or damage due to severe weather conditions such as hail, hurricanes, earthquakes, tsunamis, tornadoes, terrorism, discoloration due to exposure to chemicals either directly or in the atmosphere, Acts of God/Forces of Nature are not covered by this Limited Warranty.

No part returns will be accepted without prior authorization from Grand Home Holdings dba Barbeques Galore. **Authorization for parts and/or the return of parts may be requested by calling 1-877-934-7455, 8am-4:30pm CST, Monday-Friday.**

**For technical troubleshooting and/or service inquiries, please call 1-800-752-3085, 8am-4:30pm CST, Monday-Friday.**

### Warranty Restrictions

- This warranty gives you specific legal rights, and you may also have other rights which vary from state to state.
- This product is certified for safe use only in the country where purchased; Modification for use in any other location is a safety hazard and immediately voids the warranty.
- This warranty is void if the product is used for commercial or rental purposes.

Manufacturer:

**Grand Hall Enterprise Co., Ltd.**  
9th Fl., No. 298, Rueiguang Rd., Neihu,  
Taipei, Taiwan (114)