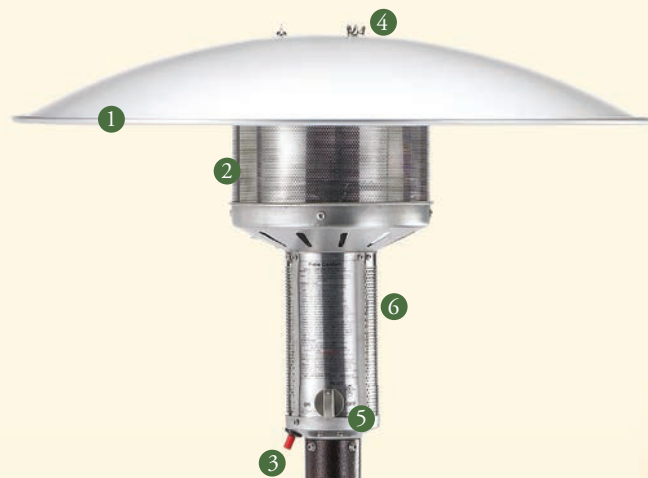




Specifications & Safety Features



- 1 One piece anodized aluminum reflector
- 2 Commercial grade high output burner & emitter grid
- 3 Self contained Piezo ignition system
- 4 Stainless steel fasteners
- 5 Heavy-duty, theft-proof cast knob with set screw
- 6 100% safety shut-off valve

Included in models
NPC05-AB and NPC05-SS



Hose Connector QD Hose & Shut-off Valve

Optional Accessories



PC Cover Touch-Up Paint

PLEASE NOTE: Installation must conform to local codes and ordinances. Please check with local fire, code, or safety officials if you have any questions as to the suitability, legality, or acceptability of this heating appliance and proper storage of propane cylinders.

Please read and follow all assembly, operating instructions, and warnings to fully enjoy the benefits of your heater and to avoid potential fires, serious injury or death from misuse.

WARNING: For use in well ventilated outdoor areas only. Never use inside a home, camper, boat, shelter, tent, vehicle or any other unventilated or enclosed area. These heaters (and all outdoor heating and cooking appliances) consume oxygen and create deadly carbon monoxide gas which can cause serious injury or death. Never attempt to modify or alter these heaters, their controls, or safety systems in any way.



DEFINING THE OUTDOOR GRILLING
& COMFORT HEAT EXPERIENCE

SINCE 1966

2641 DuBridge Avenue, Irvine, CA 92606
Phone 949-474-3070 - FAX 949-474-0559
Email info@aeicorporation.com - www.aeicorporation.com

042014



Patio Comfort Portable Propane Heaters

Specifications and safety features for Models PC02-JSV (Jet Silver Vein), PC02-AB (Antique Bronze), PC02-SS (Stainless Steel) and PC02-CAB (Vintage)

- Application: Outdoor use only
- Coverage: Varies 10' - 15' diameter from center.
Coverage varies by wind conditions, wind chill factor, level of protection, altitude and other variables.
- Approval: In US -Underwrites Lab's (5.90 5th Edition), Canadian Standard 1-2.23-MB
- Height: PC-02, J, AB, SS = 90", Vintage = 93"
- Clearance: 18" top and sides
- Weight: PC-02 = 85 lbs., Vintage = 107 lbs./reflector
- Finishes: Stainless Steel, Jet/Silver Vein, Antique Bronze
- BTU Input: 40,000
- Ignition: Self-contained "Piezo"-no batteries or electrical required
- Reflector: One piece anodized aluminum (34" diameter)
- Burner: Heavy duty series 430 stainless steel
- Emitter: Heavy duty 430 stainless steel
- Fasteners: All 304 or 430 stainless steel
- Transport: Matching wheel kit included on all PC-02 AB, J, SS models
- Burn Time: 9 to 10 hours on HI setting on 5 gallon OPD cylinder (not included)
- Gas Pressure: 11.0" W.C.
- Fuel: Propane only - hose and LP regulator included
- Safety Systems: 100% safe shut-off OPD (Overfill Protection Device)
- Warranty: Residential - 1 year, Structural - 5 years

Patio Comfort Natural Gas Heaters

Specifications and safety features for Natural Gas Heaters Patio Mounted Models NPC05-AB (Antique Bronze), NPC05-SS (Stainless Steel). Permanent Post Model NPC05-SPP (Stainless Steel In-Ground NG Post Only)

- Application: Portable or permanently installed outdoor use only
- Coverage: Varies 10-15' diameter from center (coverage varies by wind conditions, wind chill factor, level of protection, altitude, and other variables).
- Approvals: In US- CSA 5.90 5th Edition Canadian Approval 1-2.23-M82
- Height : 93"
- Clearance: 18" top and sides
- Weight: 64 lbs., permanent post model = 50 lbs.
- Available: Portable models - Antique Bronze & Stainless Steel Permanent Post model - 304 series stainless steel (post only)
- Finishes: Permanent Post model - 304 series stainless steel (post only)
- BTU Input: 40,000 BTU's
- Ignition: Piezo self-contained - no batteries or electrical required
- Reflector: One piece Anodized Aluminum (34" diameter)
- Burner: Heavy duty series 430 stainless steel
- Emitter Grid: Heavy duty series 430 stainless steel
- Fasteners: Stainless steel 304 & 430 series
- Pressure: 4.5" W.C. regulated by Maxitrol, NG regulator minimum inlet pressure 6.0" W.C.
- Safety System: 100% safety shut off
- Fuel Type: Natural gas only
- Warranty: Residential - one year, Structural - five years
- Installation kits: NPC05-AB and SS portable models come with 12' AGA approved hose set by "MB Sturgis" with two "Quick Connect" couplers and solid brass shut-off valve. NPC05-SPP stainless steel permanent post model includes feed line braided stainless steel connector hose, brass connections, and shut-off valve.

Prices and specification materials are subject to change without notice.



Infrared Outdoor Patio Heaters

Patio Comfort outdoor infrared patio heaters are designed and crafted to bring warmth, comfort, and enjoyment to your "alfresco" dining and entertainment events. The clean and efficient infrared radiant heat feels just like the sun, warming people and surfaces, while not wasting valuable energy trying to heat air. No longer does the outdoor fun and entertaining have to stop when the sun goes down!

Patio Comfort heaters can provide the perfect outdoor comfort heating solution and are available in a wide variety of colors, mounting options, and are available in both propane and natural gas models.



Model PC-02 CAB22T
Vintage with optional table
(available for Propane
(LP) only)



DEFINING THE OUTDOOR GRILLING
& COMFORT HEAT EXPERIENCE

SINCE 1966

www.aeicorporation.com



- Completely self-contained propane, portable and permanent installations
- Provides a clean and energy-efficient circle of warmth
- Convenient "Piezo" match-free ignition
- 100% safety control
- Durable one-piece anodized aluminum reflector
- Portable wheel kits included in propane models PC-02SS, PC-02JSV and PC-02AB
- Propane and natural gas models are available
- Installation kits included on natural gas models
- All models meet or exceed CSA and UL safety and performance standards in the US and Canada
- Complete replacement parts availability

Natural Gas Heaters

Patio Comfort outdoor heaters are available for natural gas fueled residential and commercial installations. Our natural gas NPC05 models are constructed of the highest quality components for durability, maximum performance, safety, and long life. Our Model NPC05-AB (Antique Bronze) and SS (Stainless Steel) are the only natural gas patio heaters available that include a commercial quality U.S. Made "MB Sturgis" 12 foot steel-lined hose, two solid brass quick couplers, and solid brass safety shut off valve for added safety, portability, and convenience. The NPC05-SPP (Stainless Steel) permanent mount heater also includes a high quality installation kit with connector and gas shut-off valve.

Portable Propane Heaters

All Patio Comfort propane fueled PC02 Stainless Steel, Jet Silver Vein and Antique Bronze Model heaters are easy to move with convenient portable wheel kits. All Patio Comfort heaters are designed with long-term durability, safety, and performance in mind. Our colored heaters are "powder coated" to compliment your patio décor and for added durability.

Our Vintage Heaters are made with rugged commercial quality components for heavy duty applications, and proves outdoor heating can be beautiful.

All major components and fasteners used in our heaters are made from commercial grade aluminum, stainless steel, aluminized steel, or brass. We supply the right equipment. You supply the party!

Vintage

Our Vintage Series Model PC-02CAB (Antique Bronze) combines the classic and elegant design elements of old-world craftsmanship, integrated beautifully into the latest in safety-oriented, functional, high performance, and long lasting comfort heating products.

- Rugged heavy duty cast post and aluminum tank enclosure.
- Unique "EZ" access hinged double doors with heavy duty latch mechanism to safely enclose the propane cylinder.
- All polyurethane powder coating for greater durability.
- Unique Series "11L" heavy duty burner and emitter support.
- Exclusive cast iron base to prevent accidental tipping.
- UL Approved to US and Canadian standards.
- Optional 22" aluminum table available (for Vintage only).
- Available in Propane (LP) only.



Also available in
Antique Bronze
Model NPC05-AB

Model NPC05-SS (Stainless Steel)

Model NPC05-SPP
In Ground (Stainless Steel Only)

Model PC02-SS
(Stainless Steel)

Model PC02-AB
(Antique Bronze)

Model PC02-J
(Jet Silver Vein)

Model PC02-CAB
(Vintage)

Optional tabletop
available for Vintage
Model CAB22T